

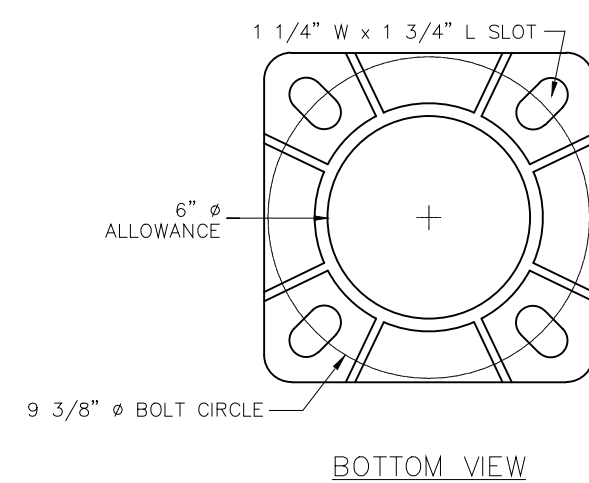
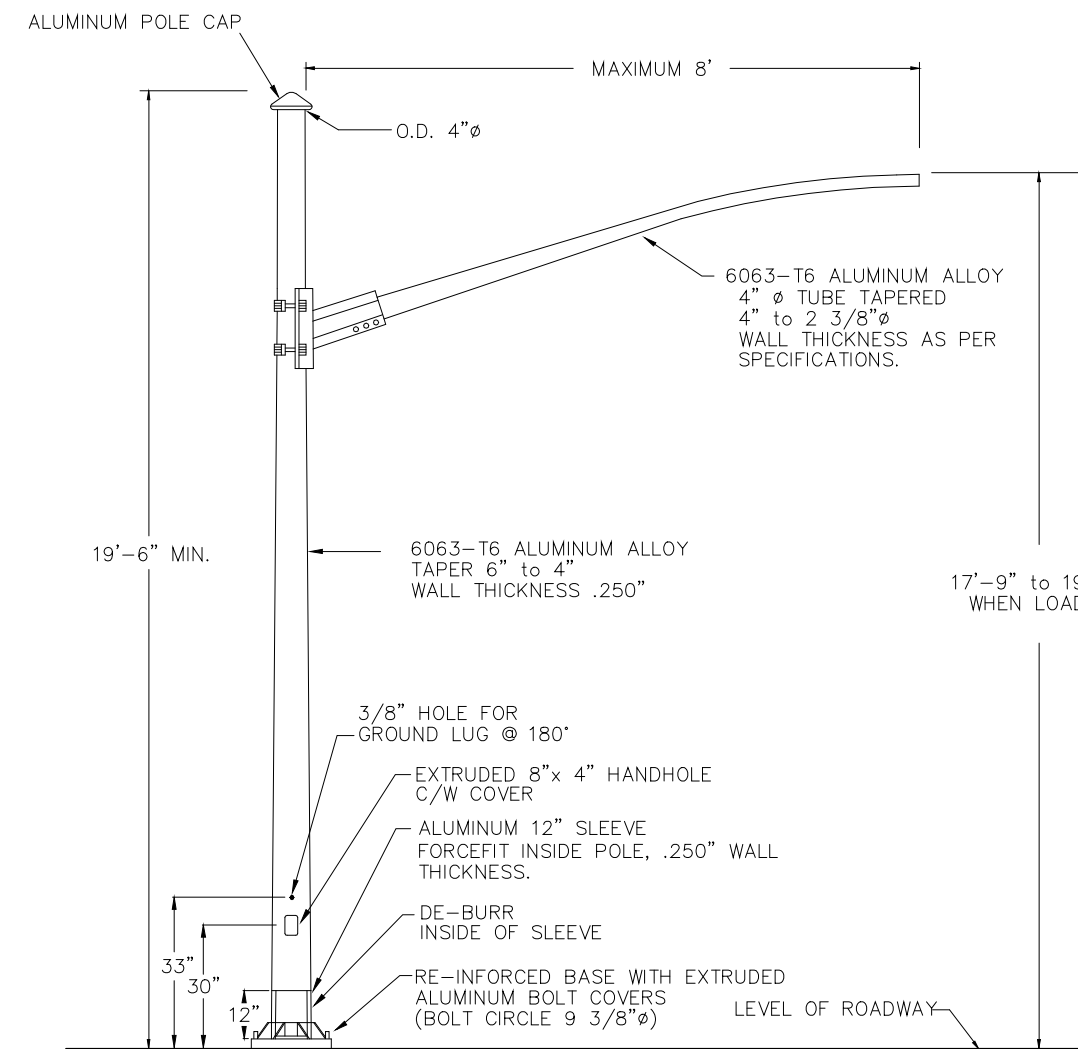
**NOTE:**

1. ALL DIMENSIONS ARE IN MILLIMETERS UNLESS SHOWN OTHERWISE.
2. ALL DIAMETER OPENING MEASUREMENTS TO BE 102mm UNLESS OTHERWISE SPECIFIED.



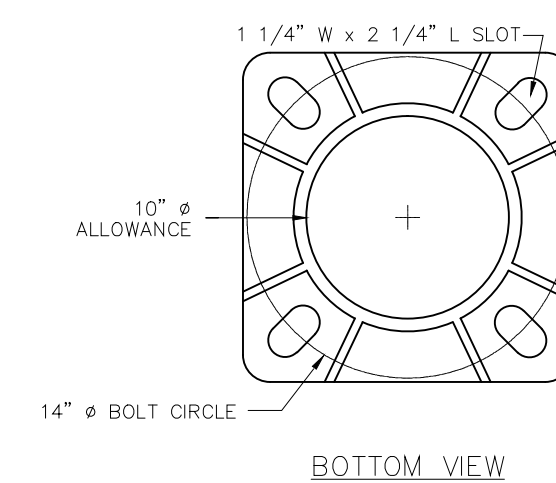
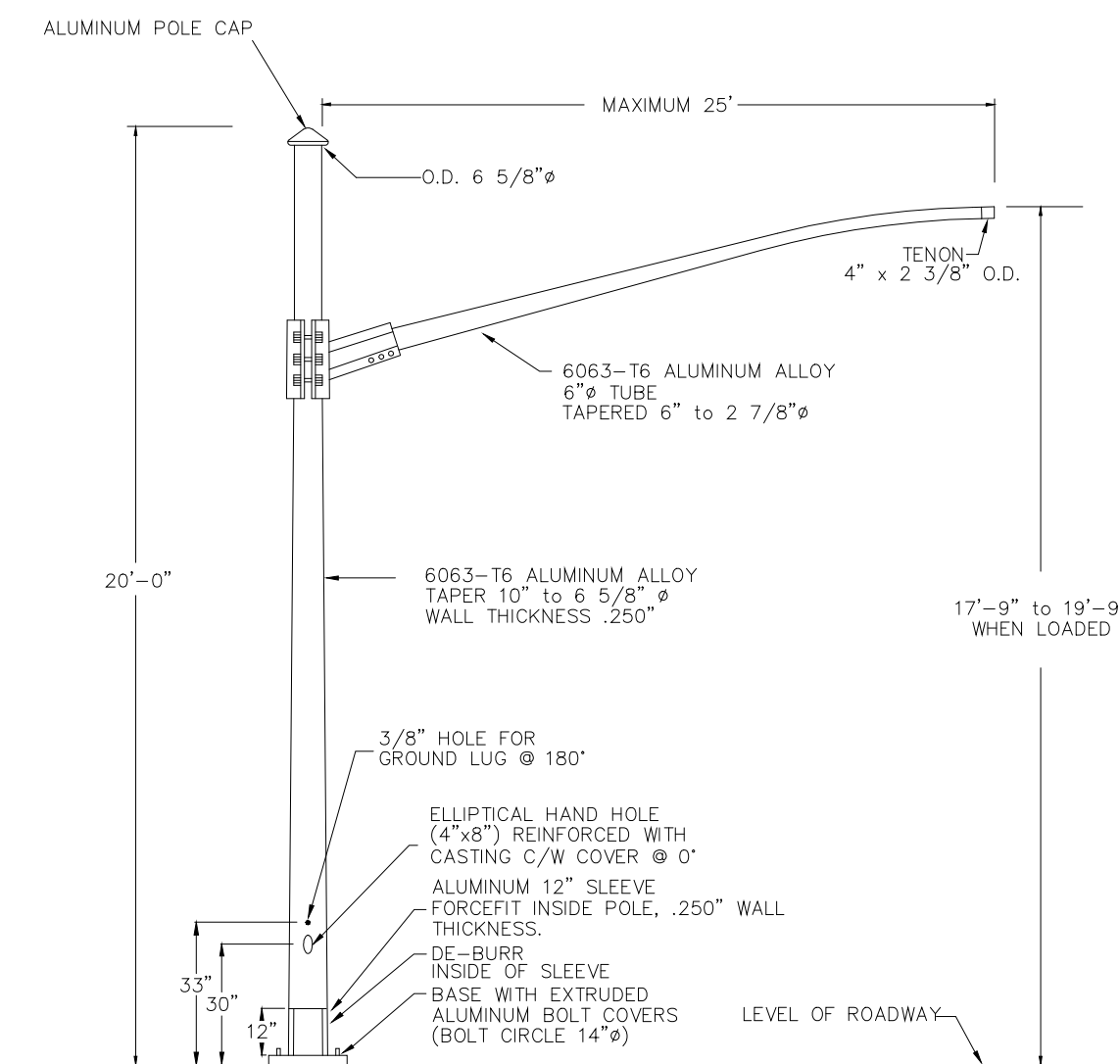
PT13

LOOP LEAD - IN DETAILS



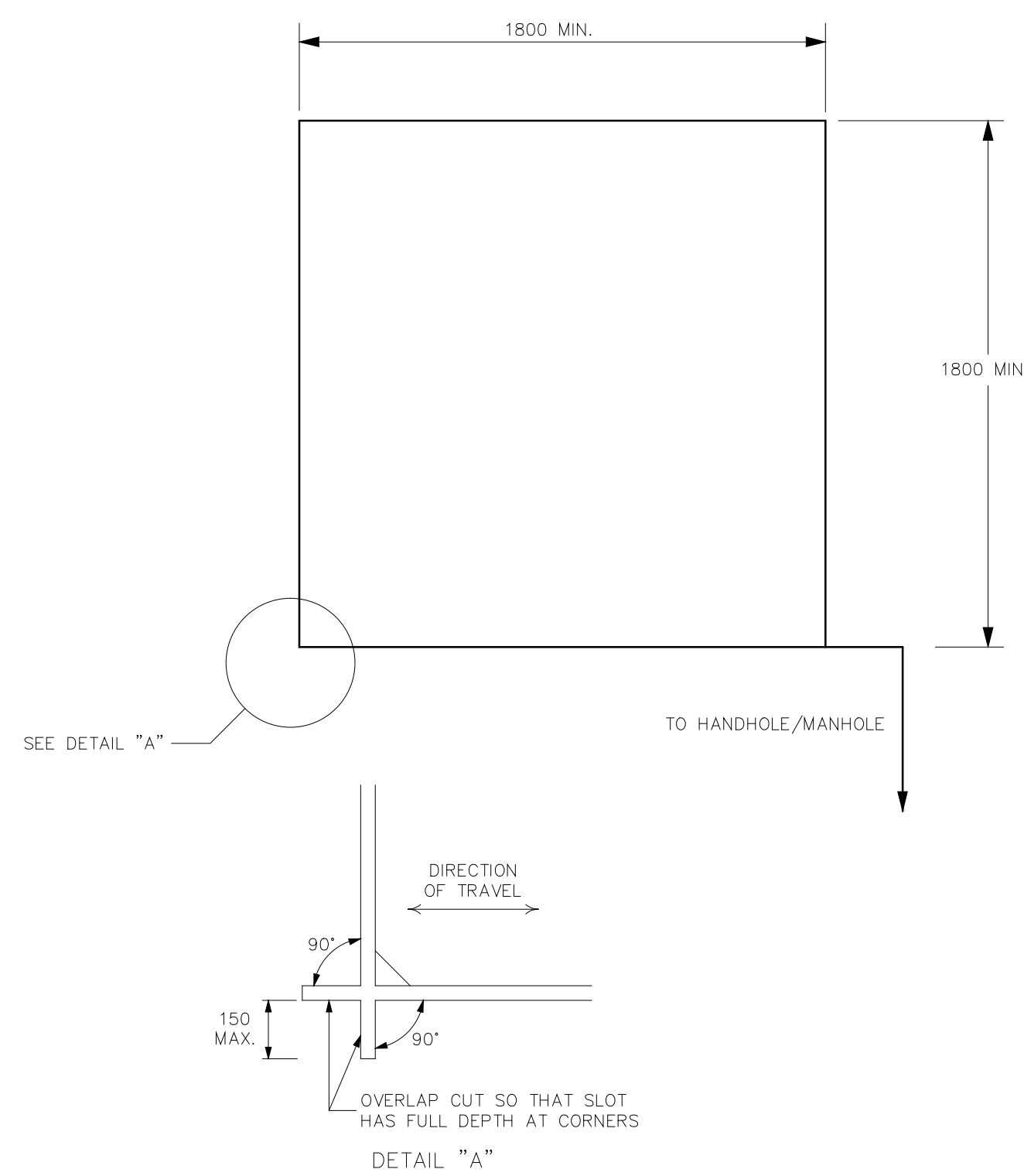
PS06

TUBULAR POLE (ARMS UP TO 8')



PS05

MAST POLE (ARMS UP TO 25')



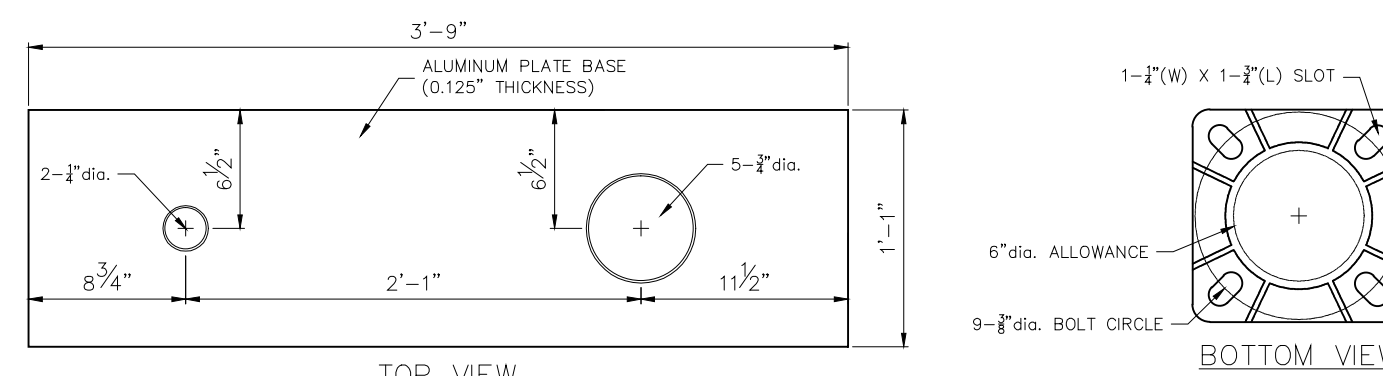
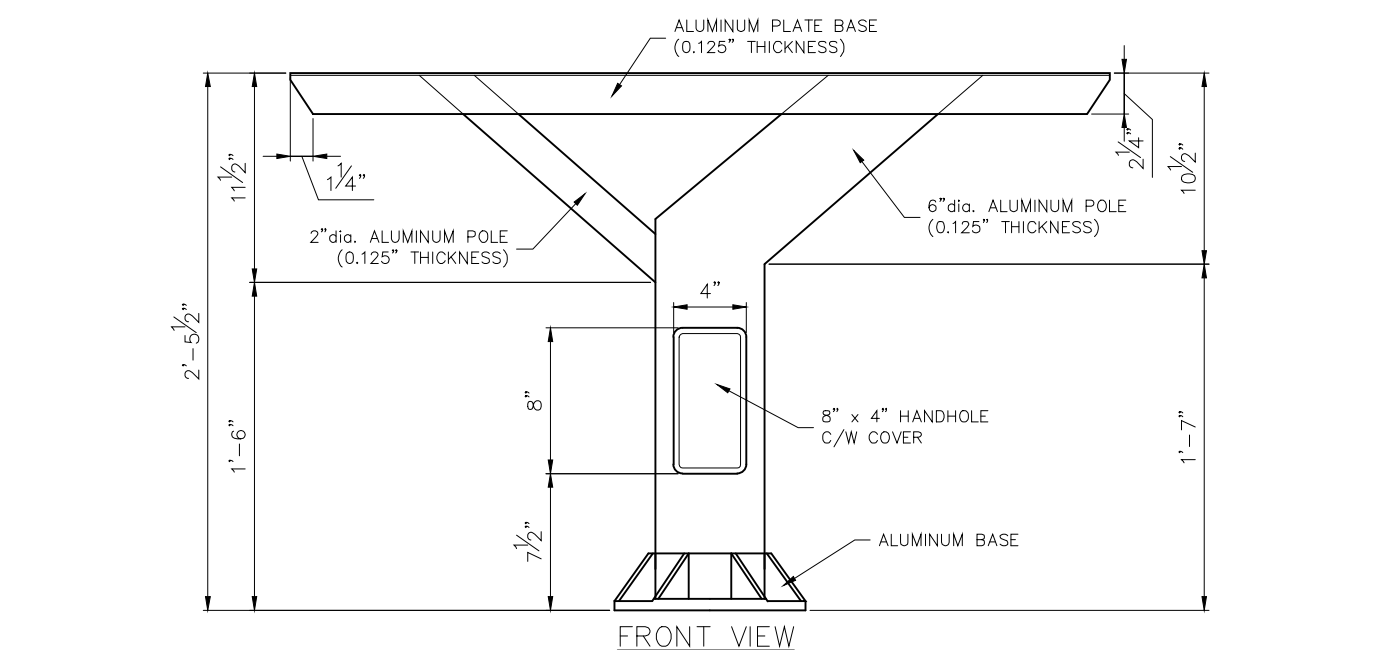
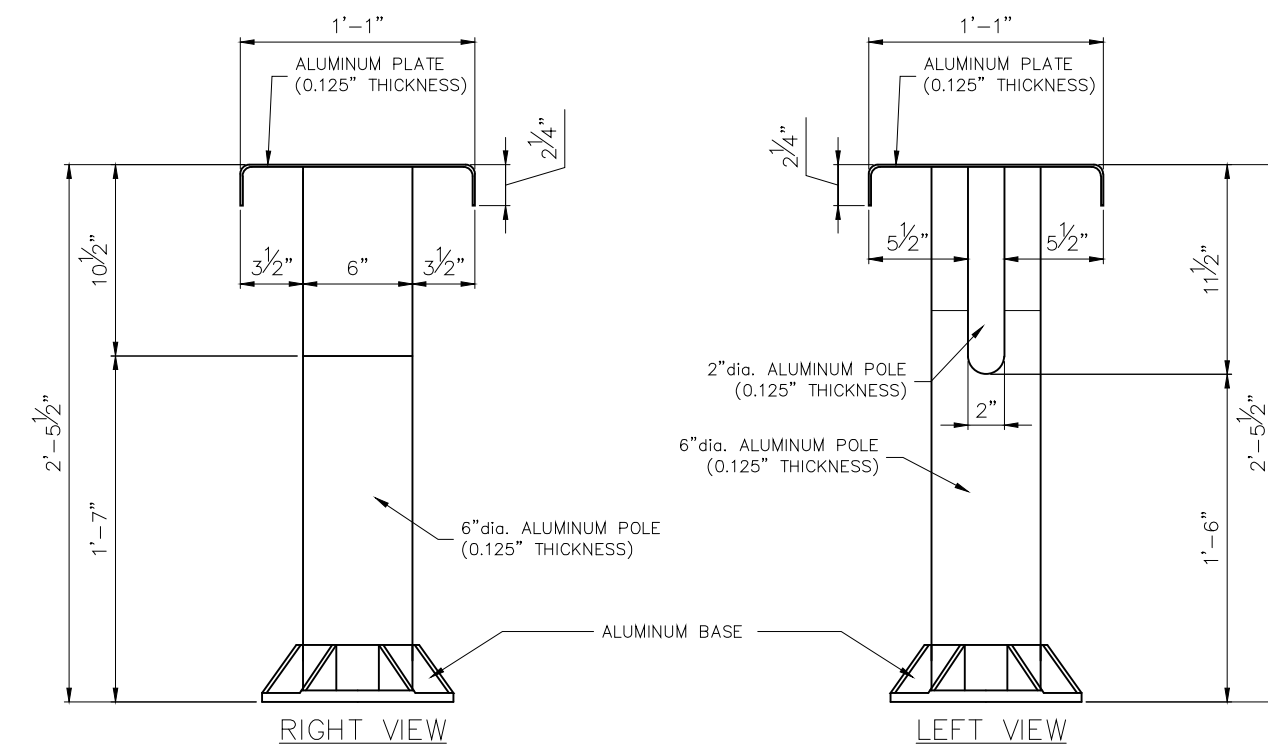
**NOTES:**

1. ROUND ALL CORNERS WITH CHISEL
2. ALL DIMENSIONS IN MILLIMETER, UNLESS SHOWN OTHERWISE



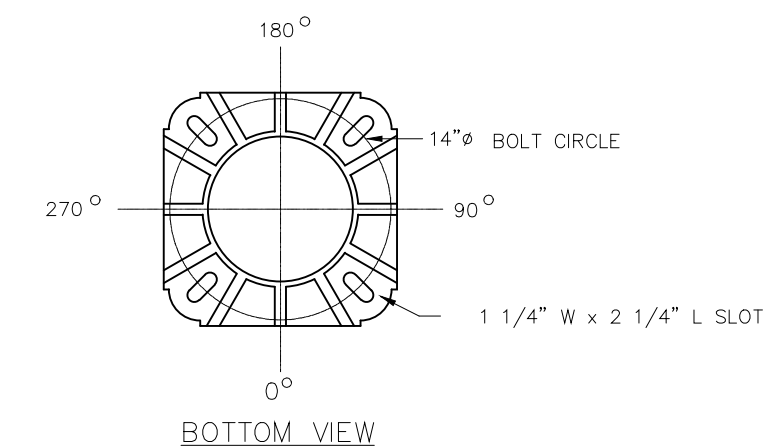
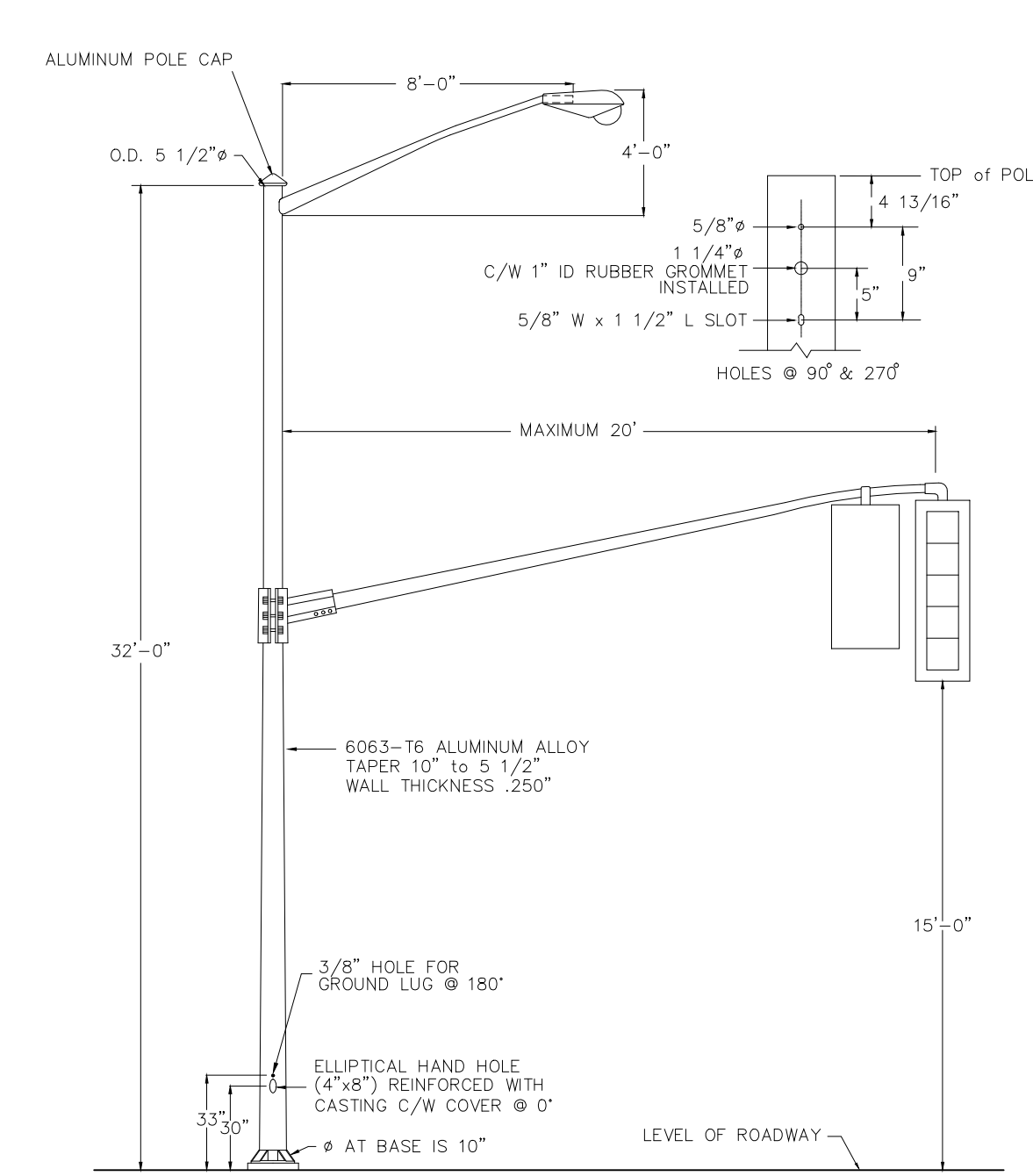
PT16

DETECTION LOOP INSTALLATION DETAIL



PS08

'Y' TYPE POLE FOR 338 CABINET & UPS (UNINTERRUPTED POWER SUPPLY) MOUNTING



PS02

32' JOINT USE POLE



DATE	REVISION	SIG.
2019-03-12	ISSUED FOR REVIEW	PEL
2019-03-20	ADDED SPECIFICATION NUMBERS (ADDENDUM NO.3)	PEL

LOCATION: BECKWITH STREET:  
RUSSELL STREET TO CHAMBERS STREET  
SMITH FALLS, ONTARIO

SIGNAL-LIGHTING DETAILS DWG. No.: DTS-4

DRAWN BY: GCDS SCALE: 1:250  
CHECKED BY: JB DATE: 2019-03-12  
APPROVED BY: JB