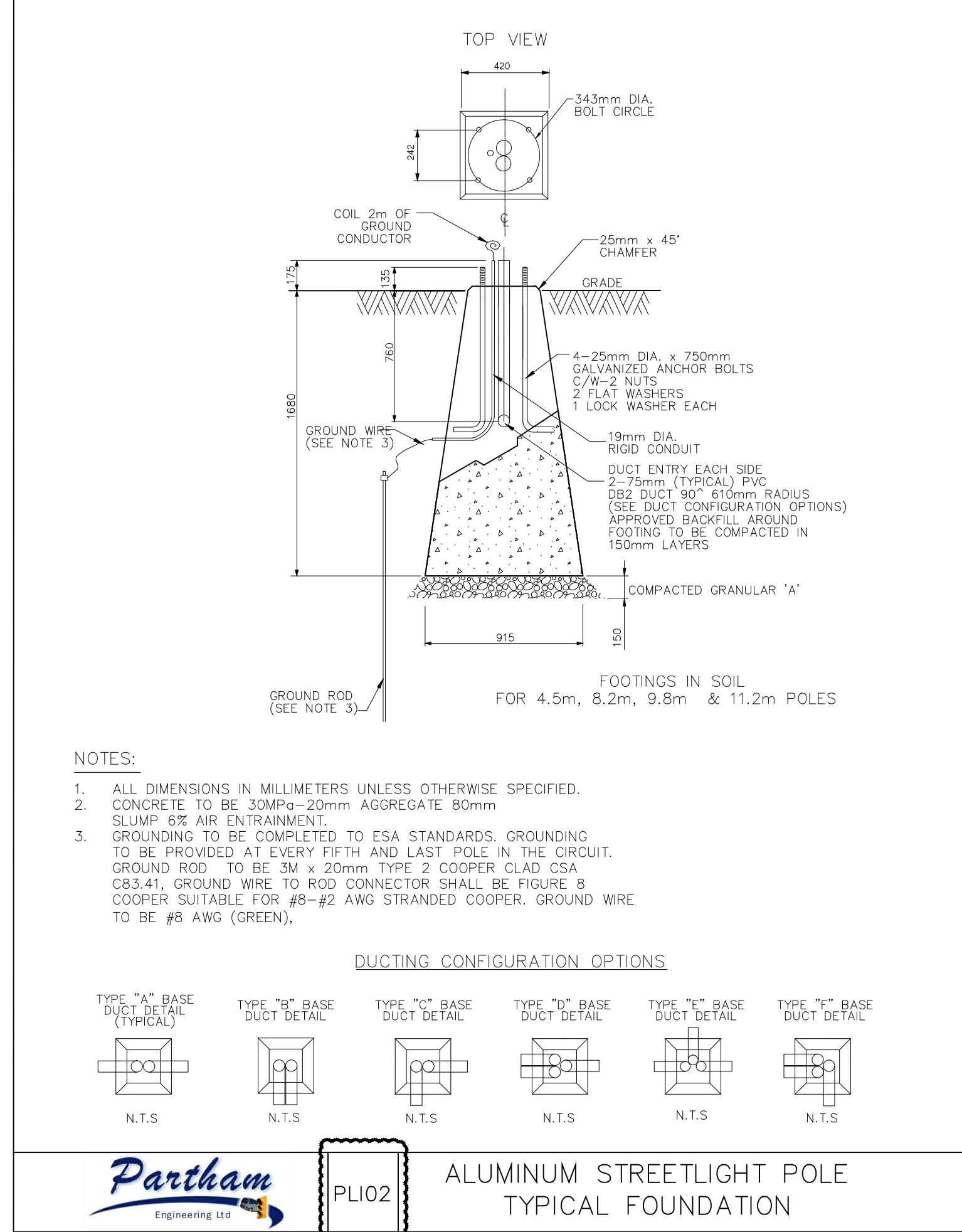


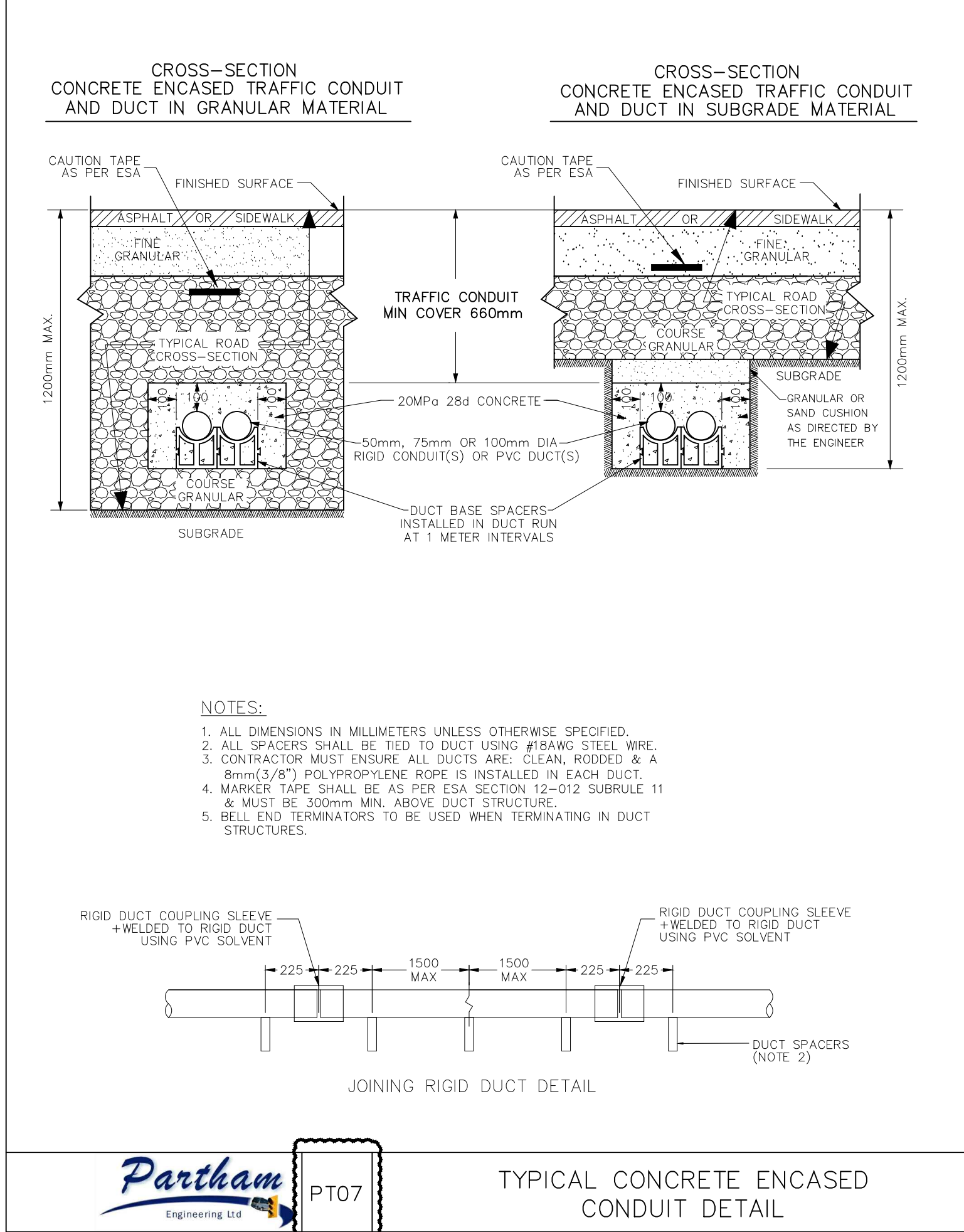
Partham Engineering Ltd
PLI01

PRECAST STREET LIGHT HANDHOLE WITH COVER 300mm DIAMETER DETAIL



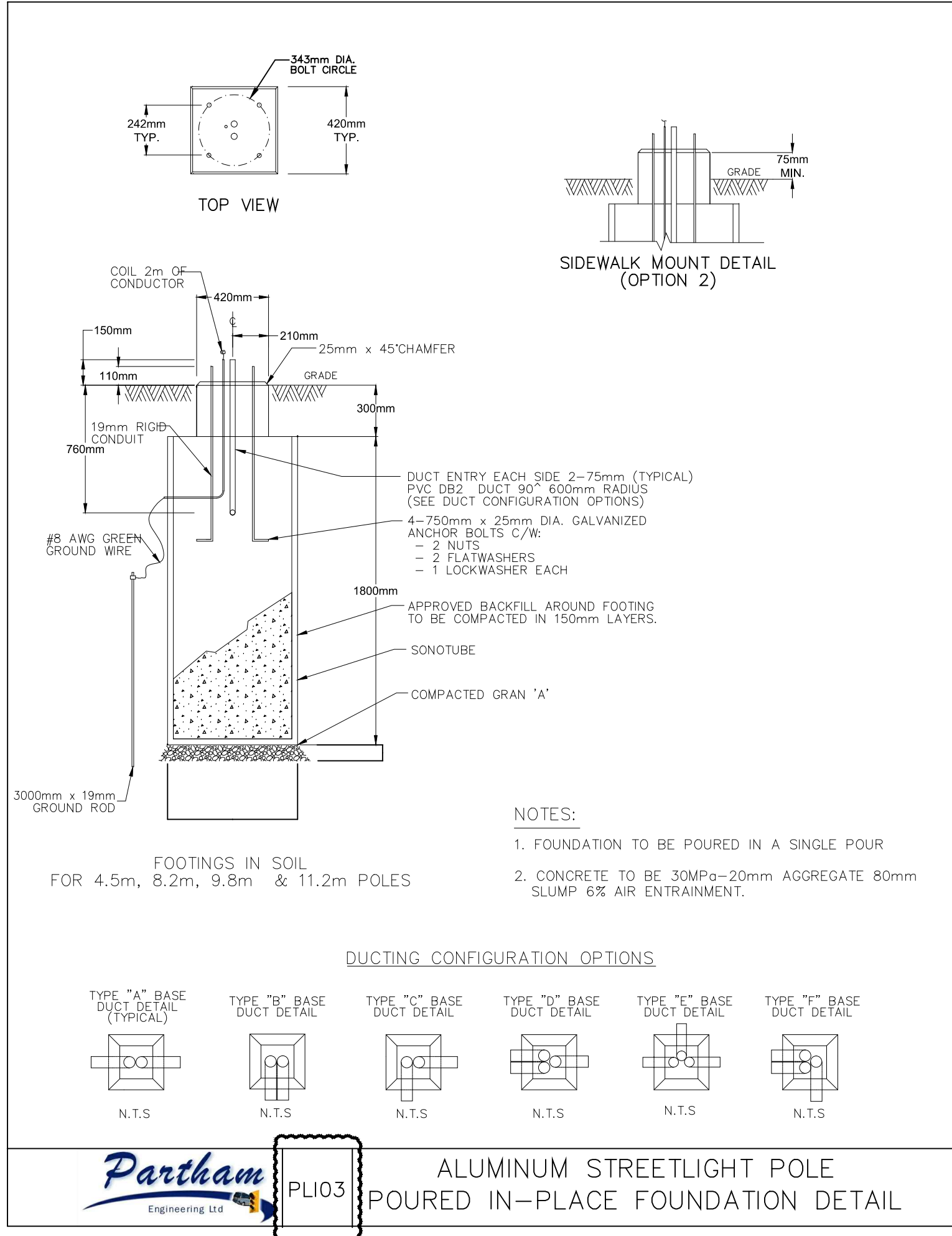
Partham Engineering Ltd
PLI02

ALUMINUM STREETLIGHT POLE TYPICAL FOUNDATION



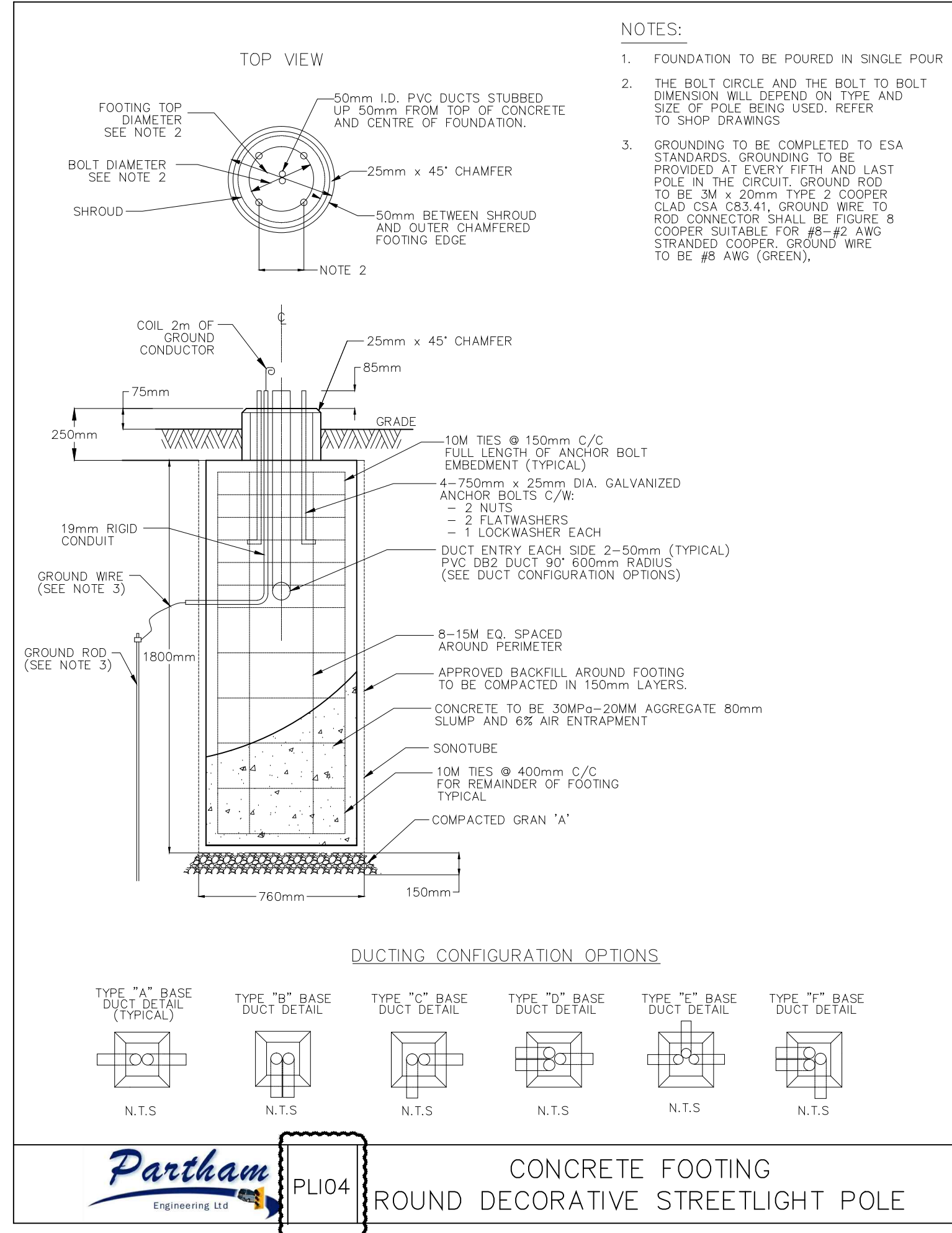
Partham Engineering Ltd
PT07

TYPICAL CONCRETE ENCASED CONDUIT DETAIL



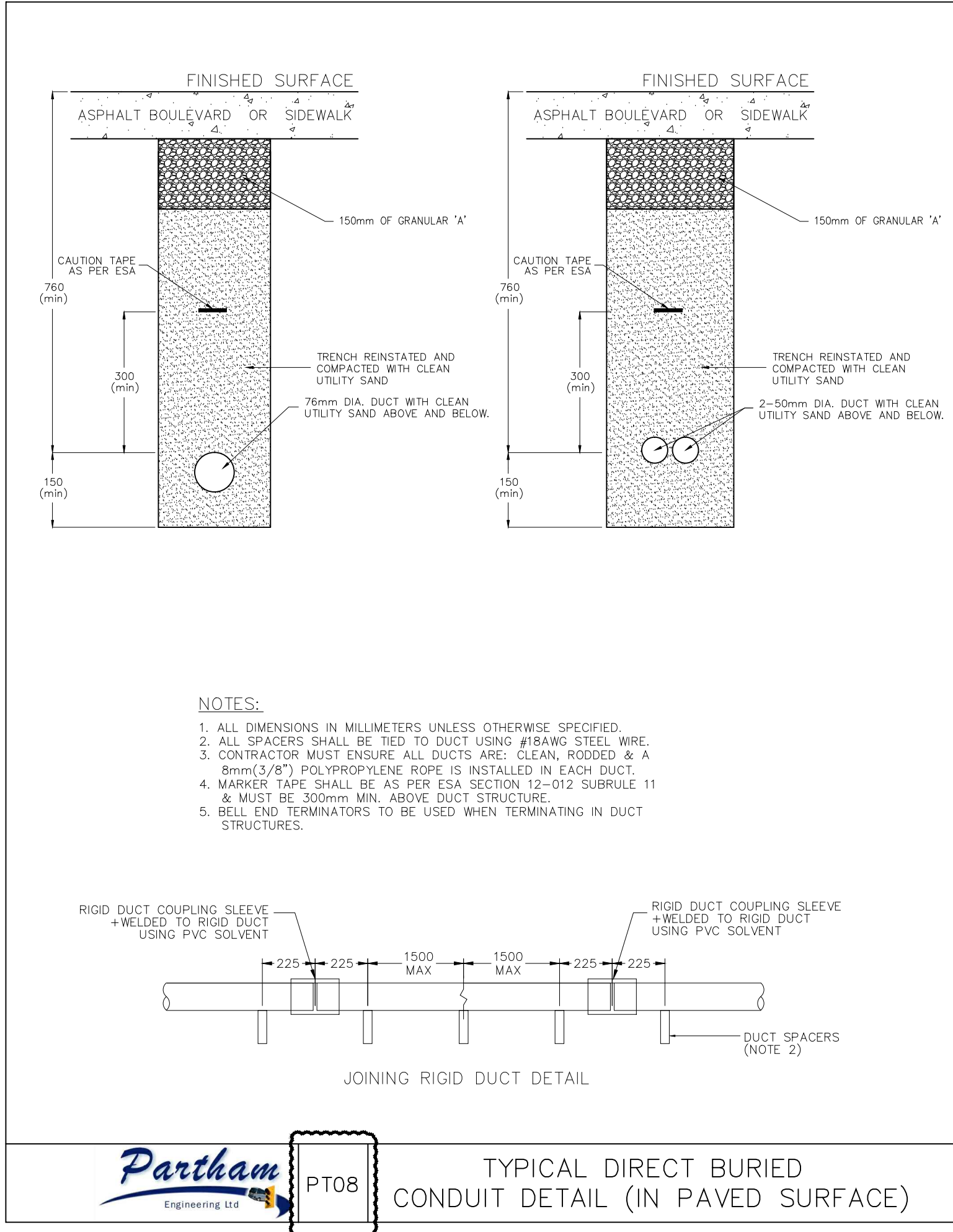
Partham Engineering Ltd
PLI03

ALUMINUM STREETLIGHT POLE POURED IN-PLACE FOUNDATION DETAIL



Partham Engineering Ltd
PLI04

CONCRETE FOOTING ROUND DECORATIVE STREETLIGHT POLE



Partham Engineering Ltd
PT08

TYPICAL DIRECT BURIED CONDUIT DETAIL (IN PAVED SURFACE)



DATE	REVISION	SIG.
2019-03-12	ISSUED FOR REVIEW	PEL
2019-03-14	RE-ISSUED FOR REVIEW	PEL
2019-03-20	ADDED SPECIFICATION NUMBERS (ADDENDUM NO.3)	PEL

LOCATION: BECKWITH STREET: RUSSELL STREET TO CHAMBERS STREET SMITH FALLS, ONTARIO

SIGNAL-LIGHTING DETAILS		DWG. No. : DTS-3
DRAWN BY: GCDS	SCALE: 1:250	
CHECKED BY: JB	DATE: 2019-03-12	
APPROVED BY: JB		