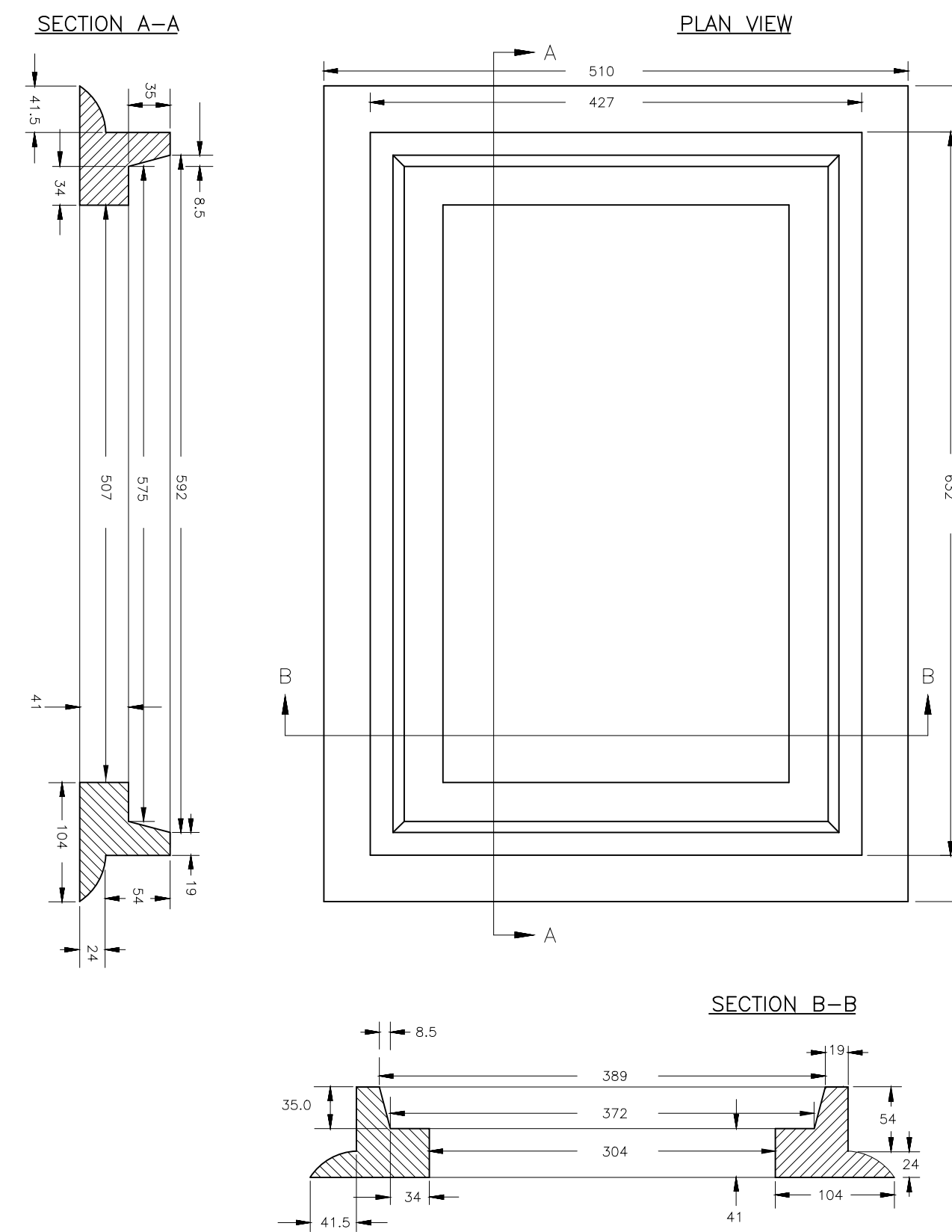


- NOTES:
1. ALL DIMENSIONS ARE IN MILLIMETERS UNLESS OTHERWISE SPECIFIED.
 2. CONCRETE TO BE 35 MPa.
 3. ALL OPENINGS (EXCEPT BOTTOM) TO BE SEALED AND PARGED
 4. PVC TYPE DBII BELL END TERMINATORS AND PIPE SEAL TO BE USED ON DUCT ENDS



PT01

TRAFFIC CONTROL MAINTENANCE HANDHOLE

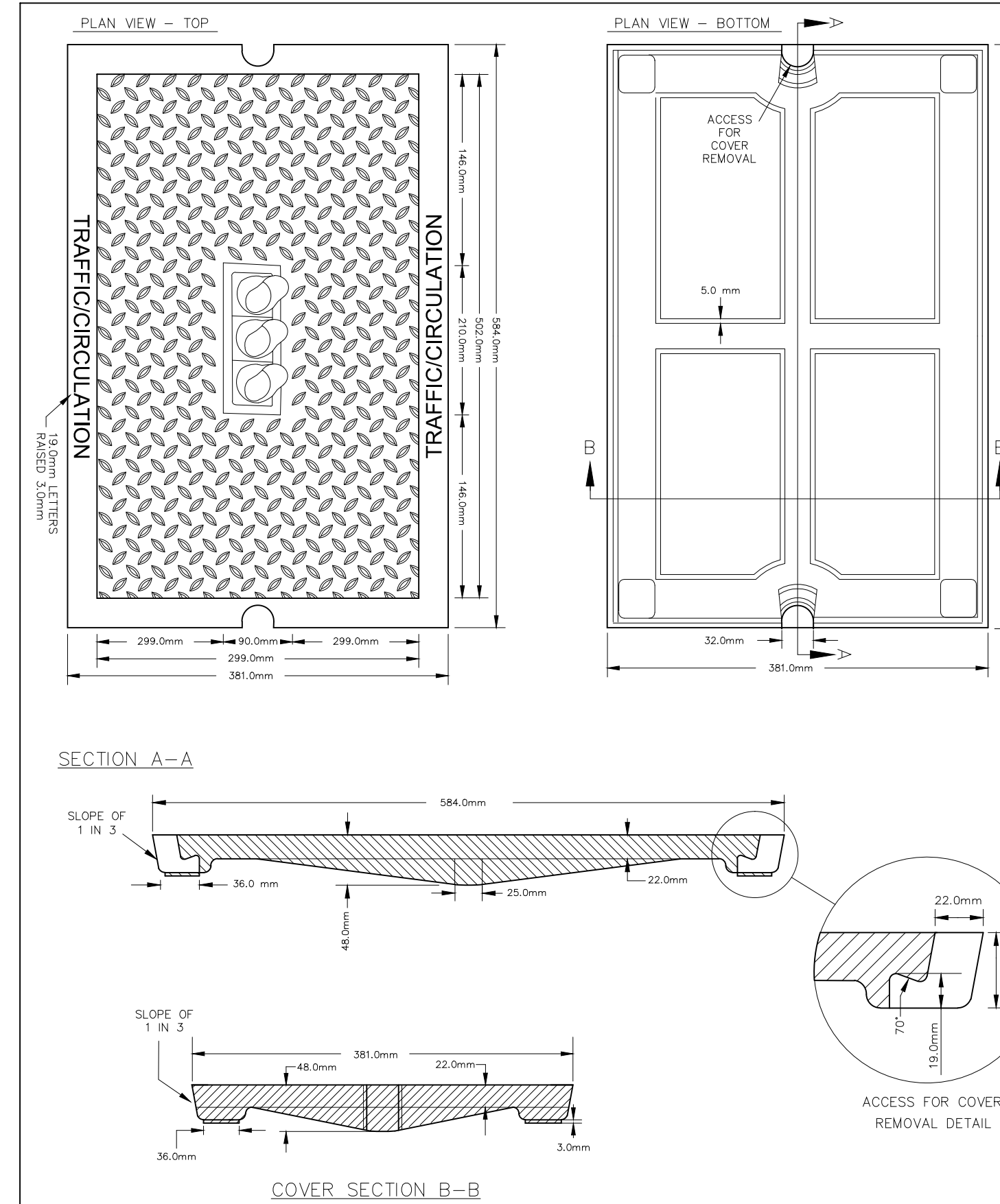


- NOTES:
1. ALL DIMENSIONS ARE IN MILLIMETRES UNLESS SHOWN OTHERWISE



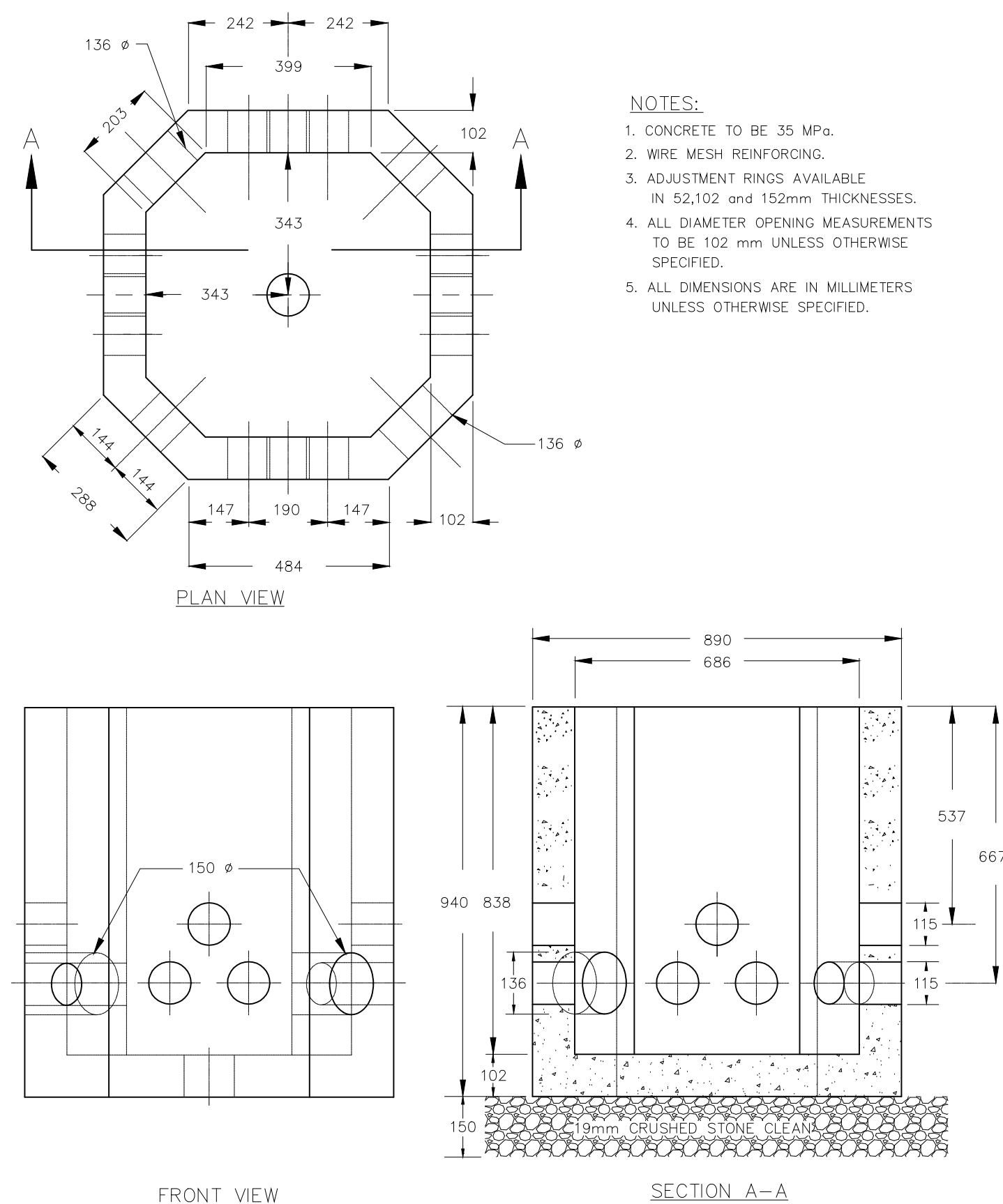
PT02

TRAFFIC CONTROL MAINTENANCE HANDHOLE FRAME DETAIL



PT03

TRAFFIC CONTROL MAINTENANCE HANDHOLE COVER DETAIL

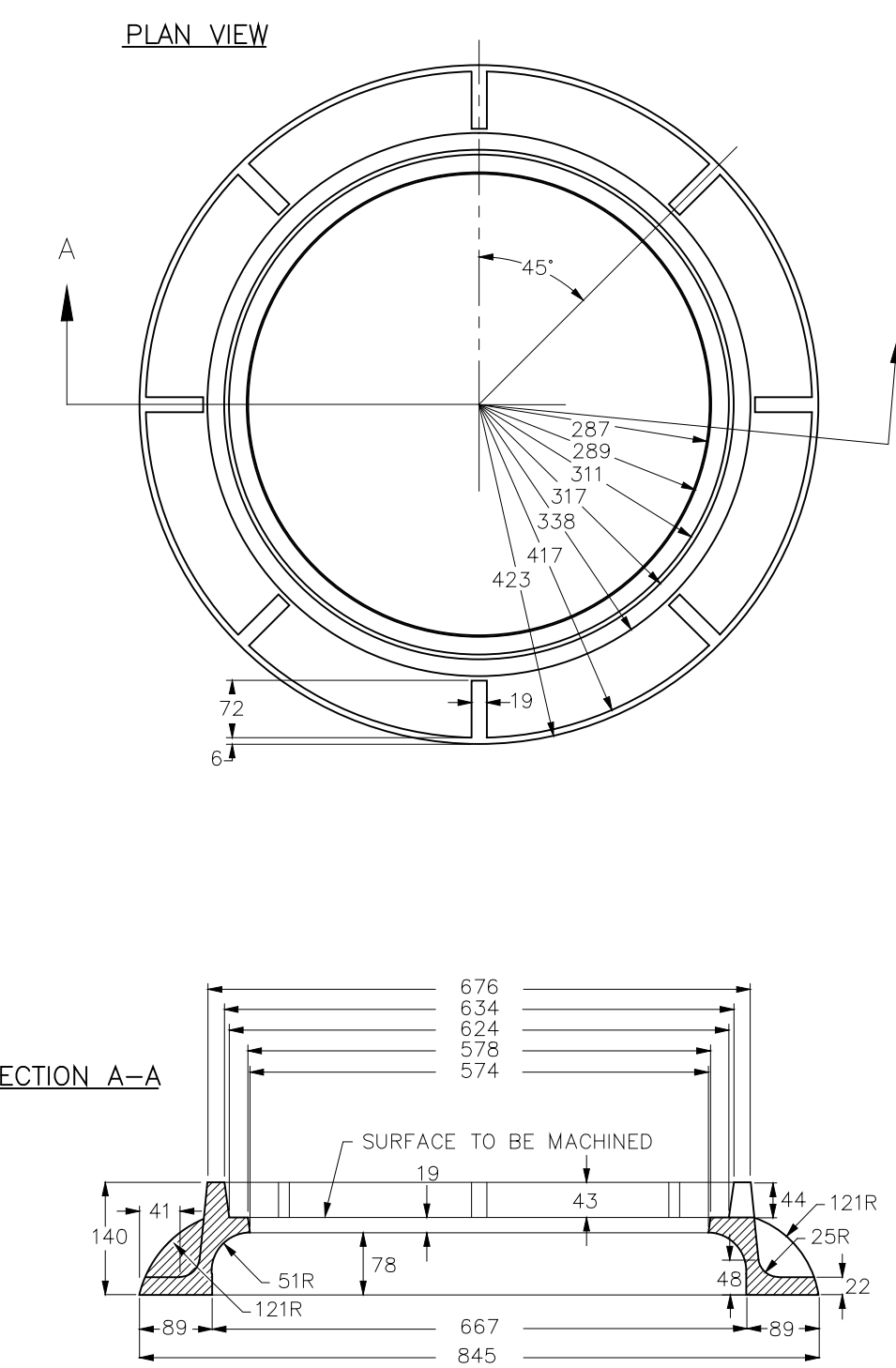


- NOTES:
1. CONCRETE TO BE 35 MPa.
 2. WIRE MESH REINFORCING.
 3. ADJUSTMENT RINGS AVAILABLE IN 52,102 and 152mm THICKNESSES.
 4. ALL DIAMETER OPENING MEASUREMENTS TO BE 102 mm UNLESS OTHERWISE SPECIFIED.
 5. ALL DIMENSIONS ARE IN MILLIMETERS UNLESS OTHERWISE SPECIFIED.



PT04

TRAFFIC CONTROL MAINTENANCE MANHOLE

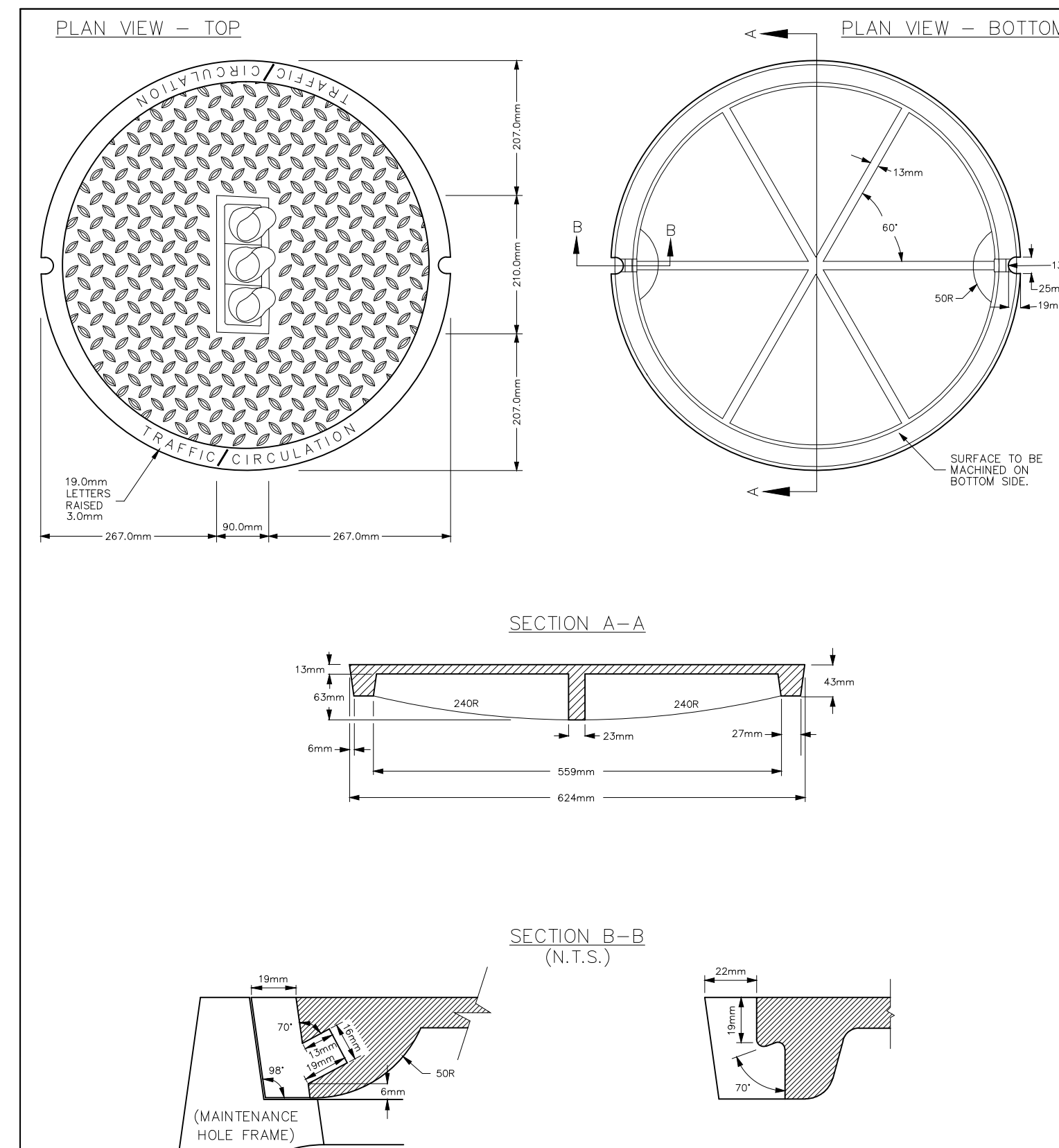


- NOTES:
1. ALL DIMENSIONS ARE IN MILLIMETRES UNLESS SHOWN OTHERWISE



PT05

TRAFFIC CONTROL MAINTENANCE MANHOLE FRAME DETAIL



PT06

TRAFFIC CONTROL MAINTENANCE MANHOLE COVER DETAIL



DATE	REVISION	SIG.
2019-03-12	ISSUED FOR REVIEW	PEL
2019-03-20	ADDED SPECIFICATION NUMBERS (ADDENDUM NO.3)	PEL

LOCATION: BECKWITH STREET:
RUSSELL STREET TO CHAMBERS STREET
SMITH FALLS, ONTARIO

SIGNAL-LIGHTING DETAILS DWG. No.: DTS-2

DRAWN BY: GCDS SCALE: 1:250

CHECKED BY: JB DATE: 2019-03-12

APPROVED BY: JB