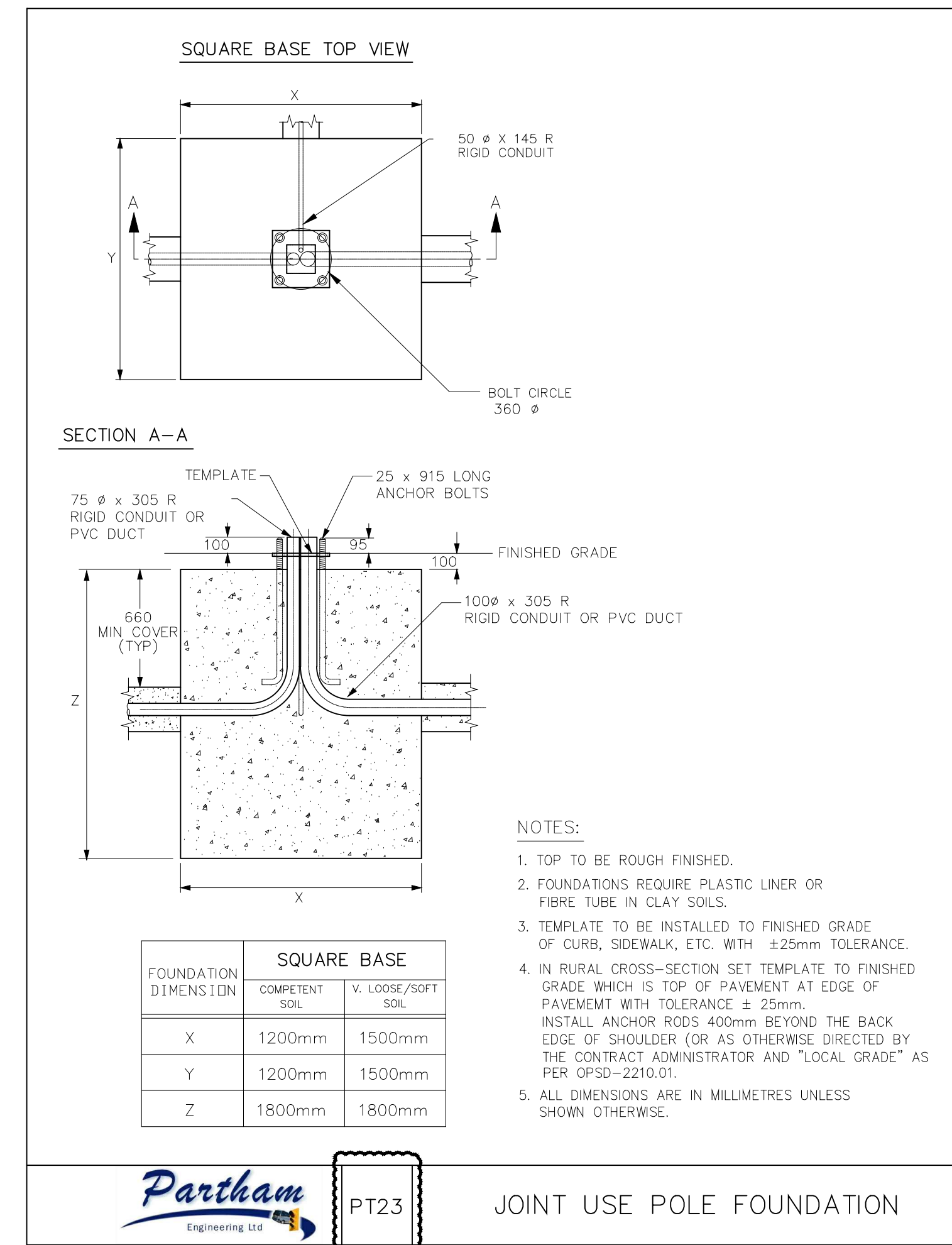


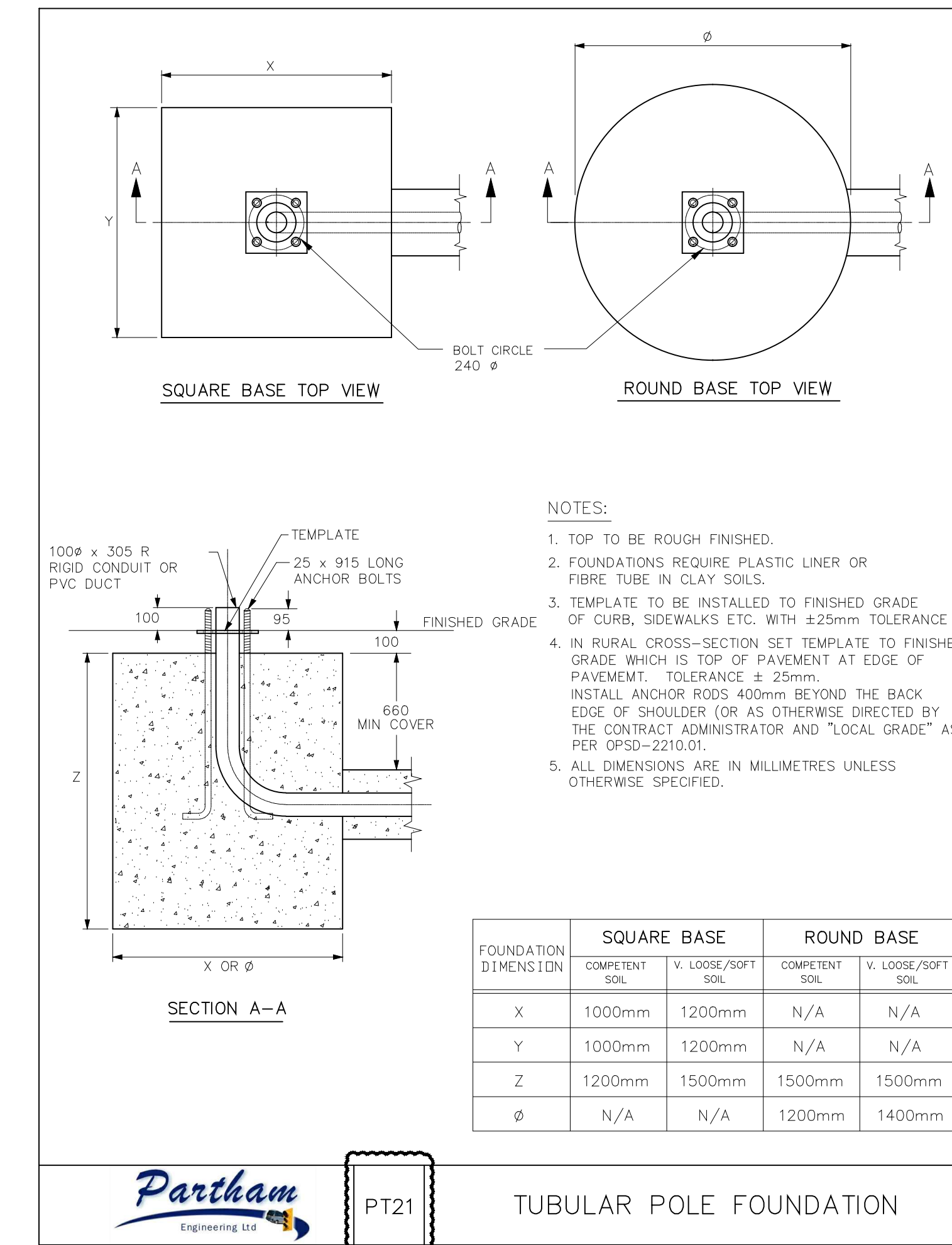
PT22

MAST POLE FOUNDATION



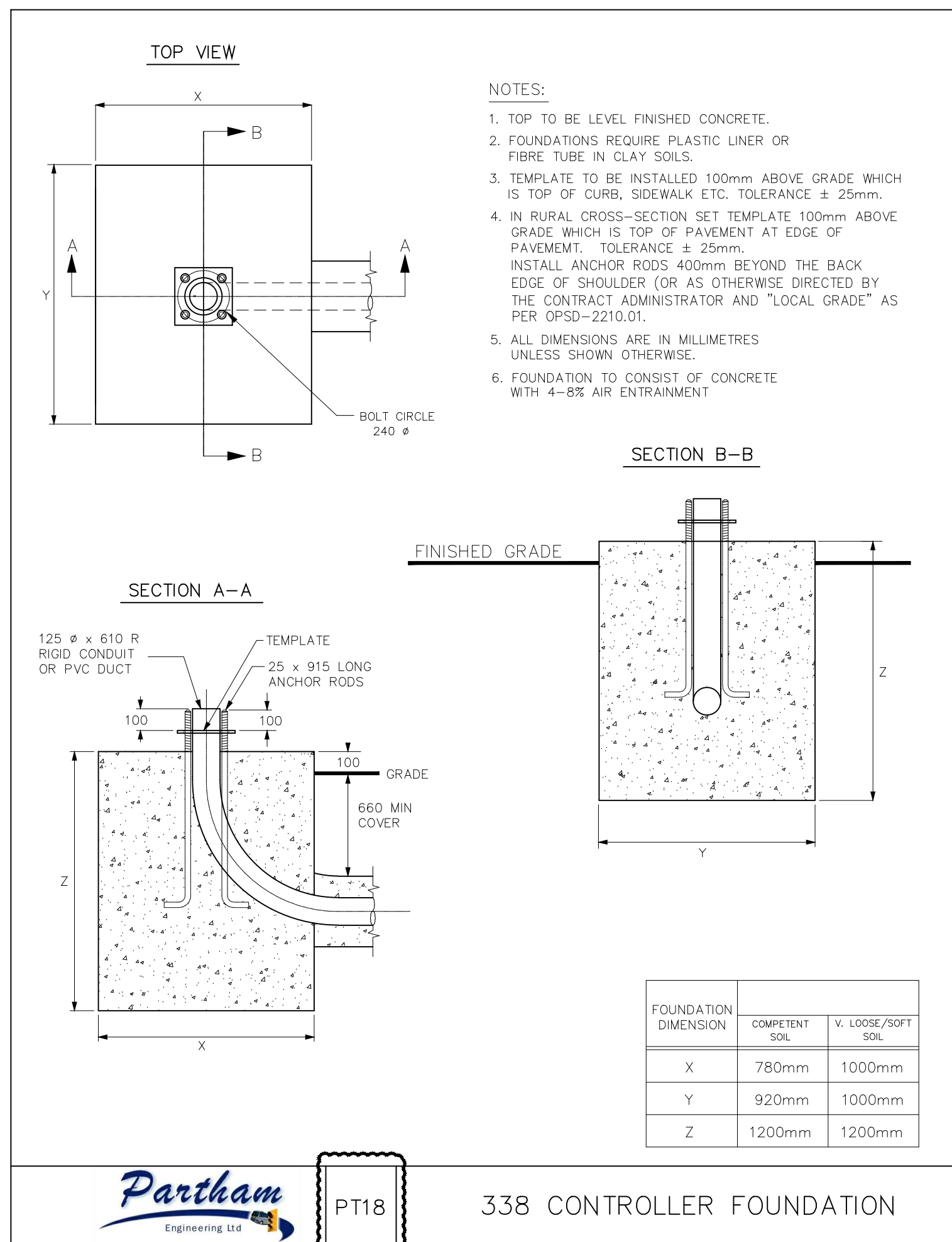
PT23

JOINT USE POLE FOUNDATION



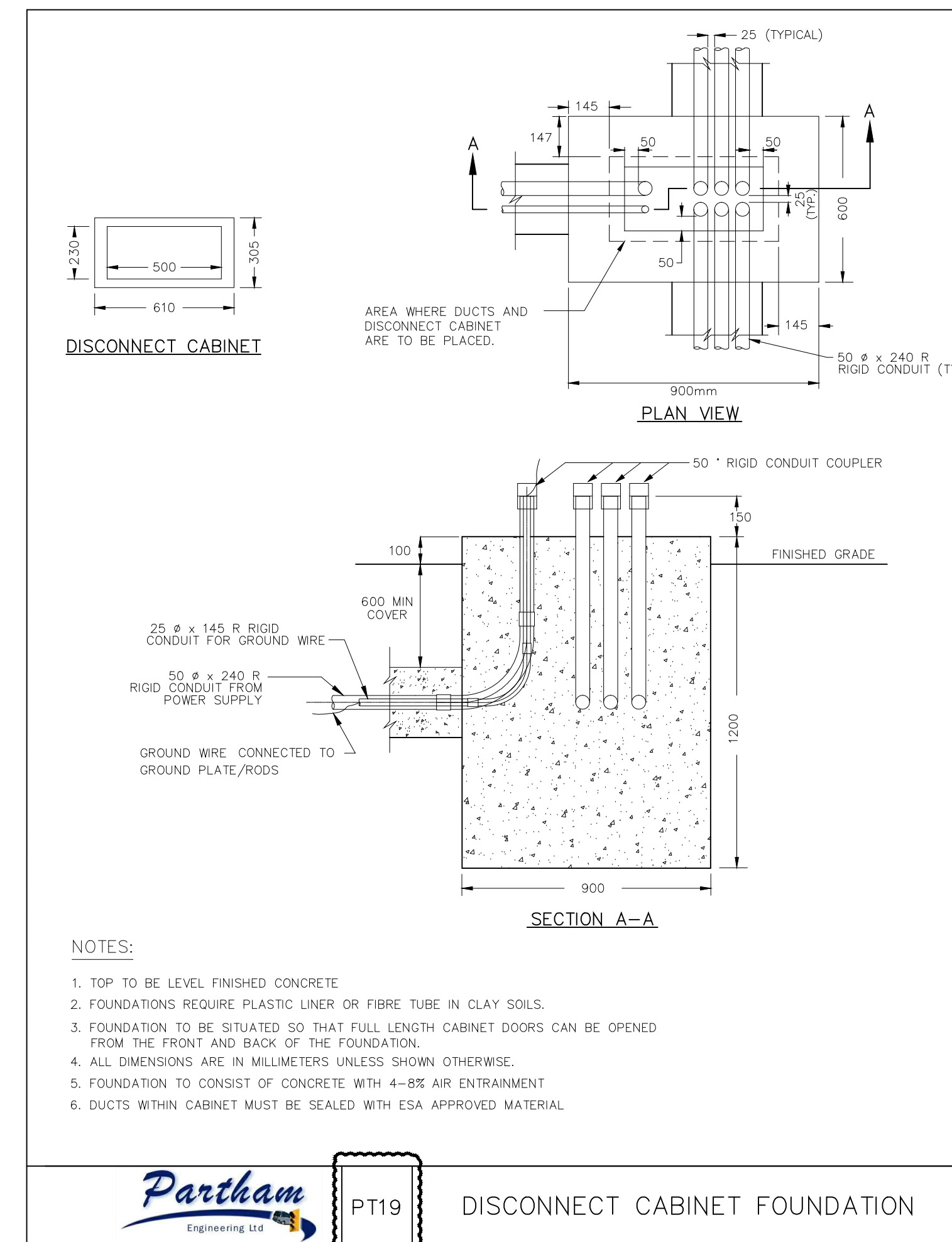
PT21

TUBULAR POLE FOUNDATION



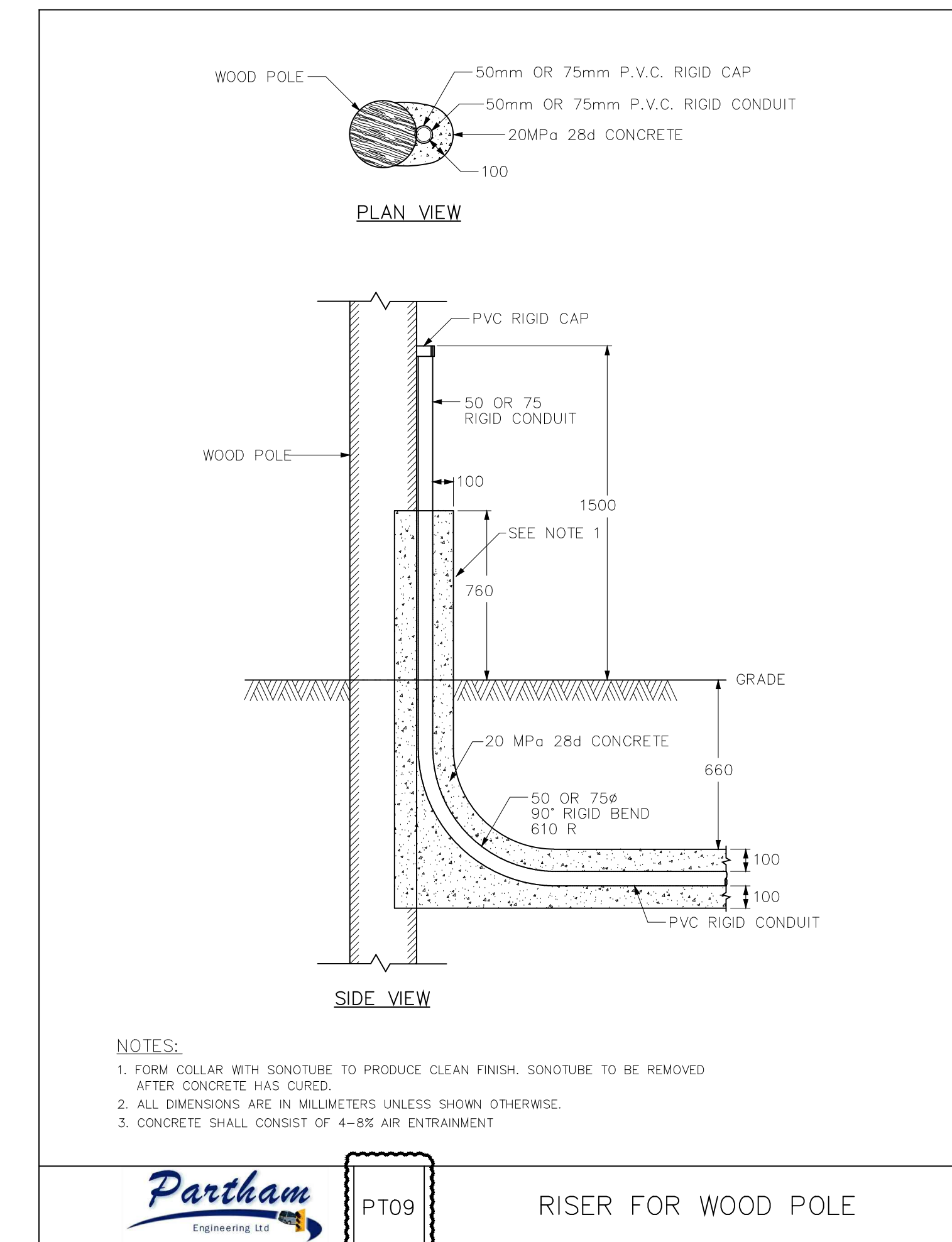
PT18

338 CONTROLLER FOUNDATION



PT19

DISCONNECT CABINET FOUNDATION



PT09

RISER FOR WOOD POLE



DATE	REVISION	SIG.
2019-03-12	ISSUED FOR REVIEW	PEL
2019-03-20	ADDED SPECIFICATION NUMBERS (ADDENDUM NO.3)	PEL

LOCATION: BECKWITH STREET: RUSSELL STREET TO CHAMBERS STREET SMITH FALLS, ONTARIO	
SIGNAL-LIGHTING DETAILS	DWG. No.: DTS-1
DRAWN BY: GCDS	SCALE: 1:250
CHECKED BY: JB	DATE: 2019-03-12
APPROVED BY: JB	