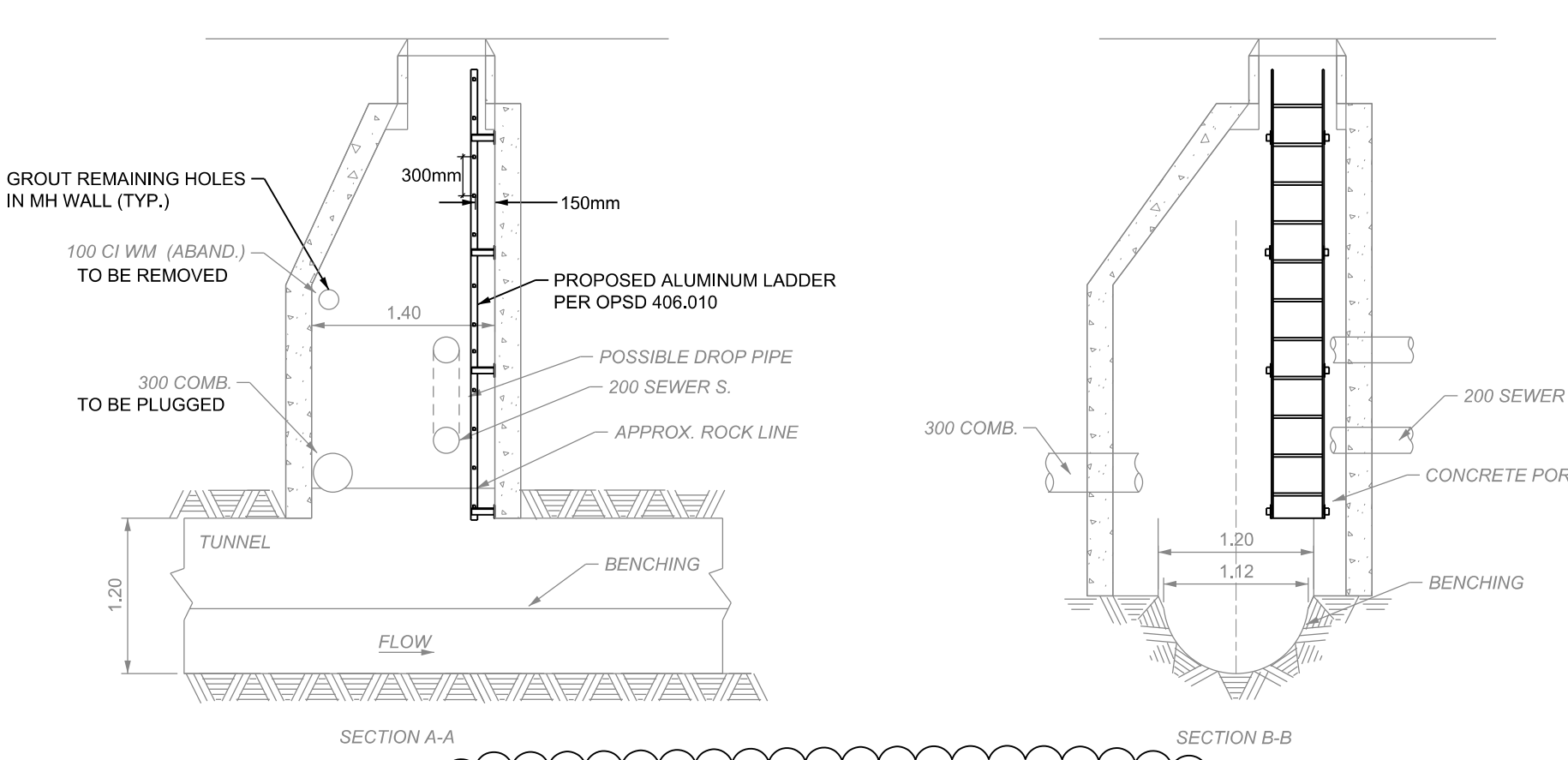
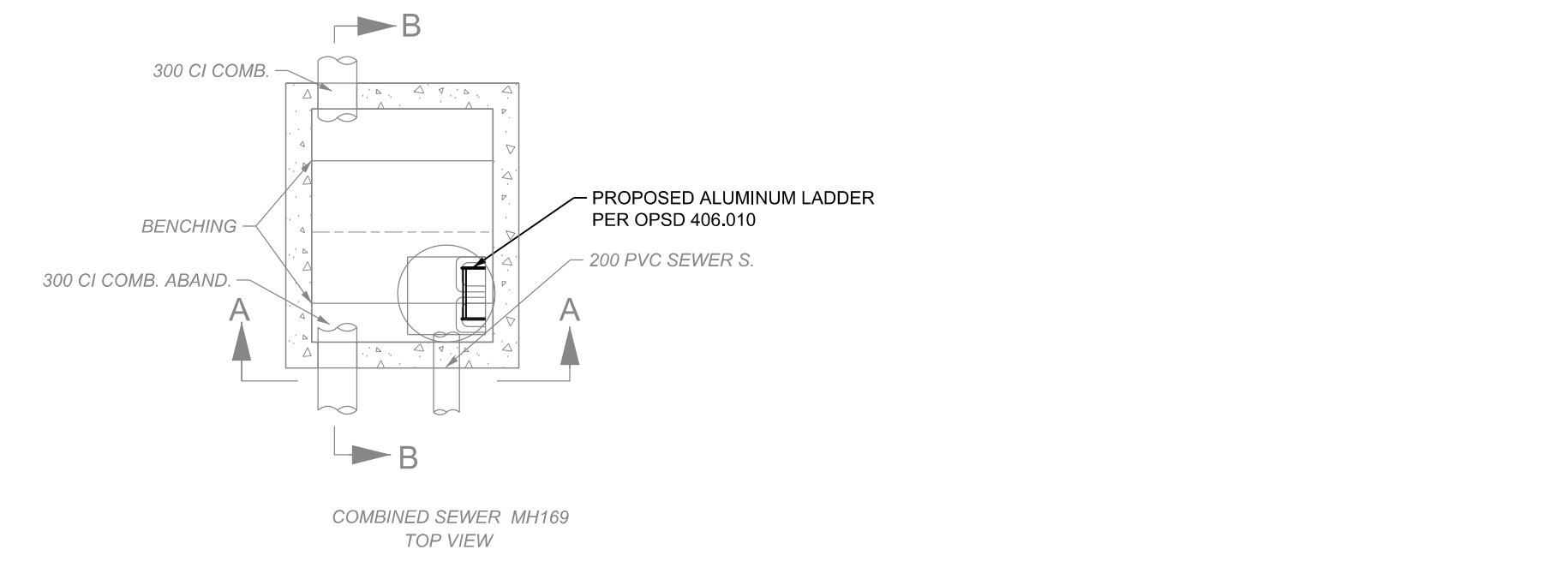
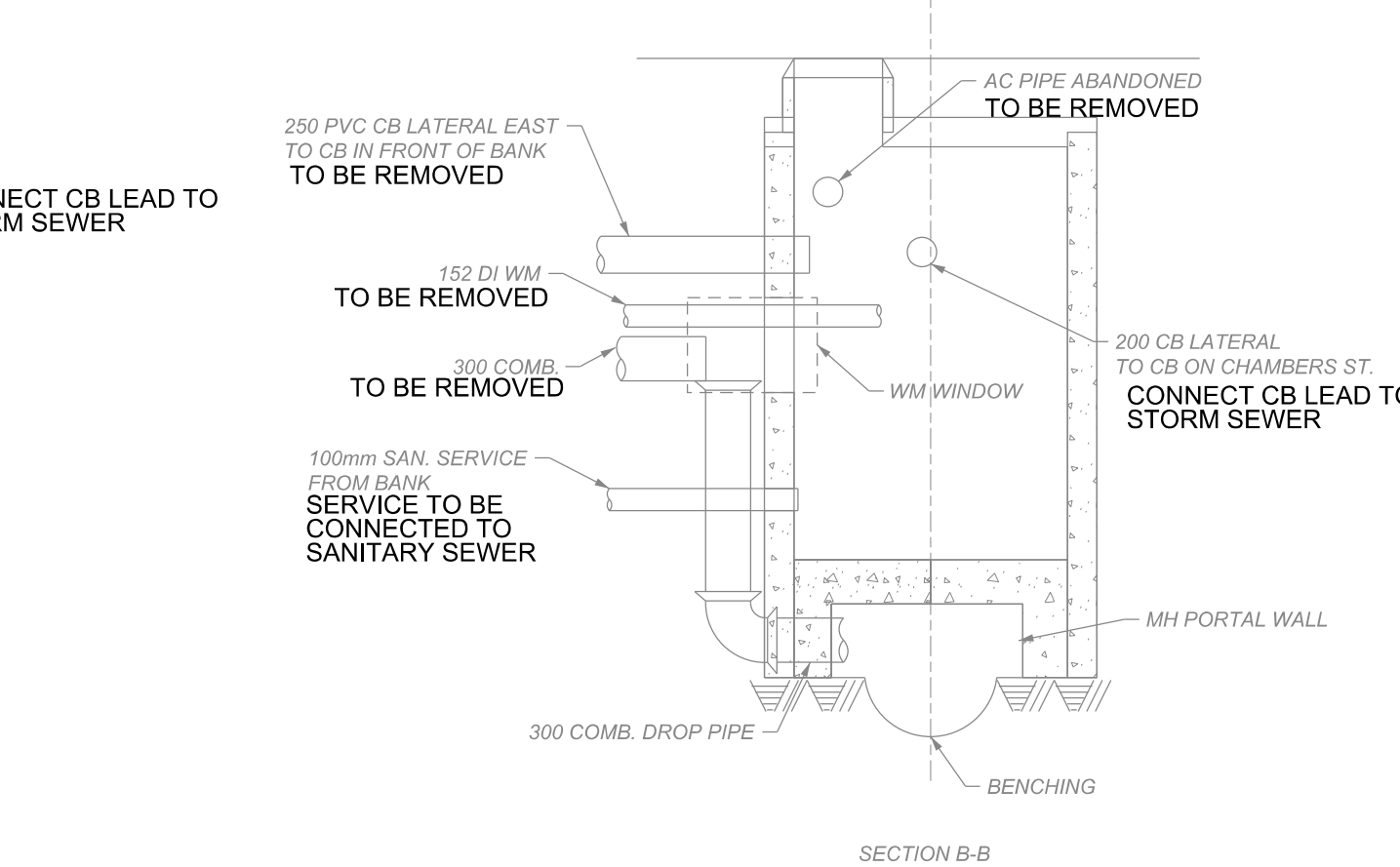
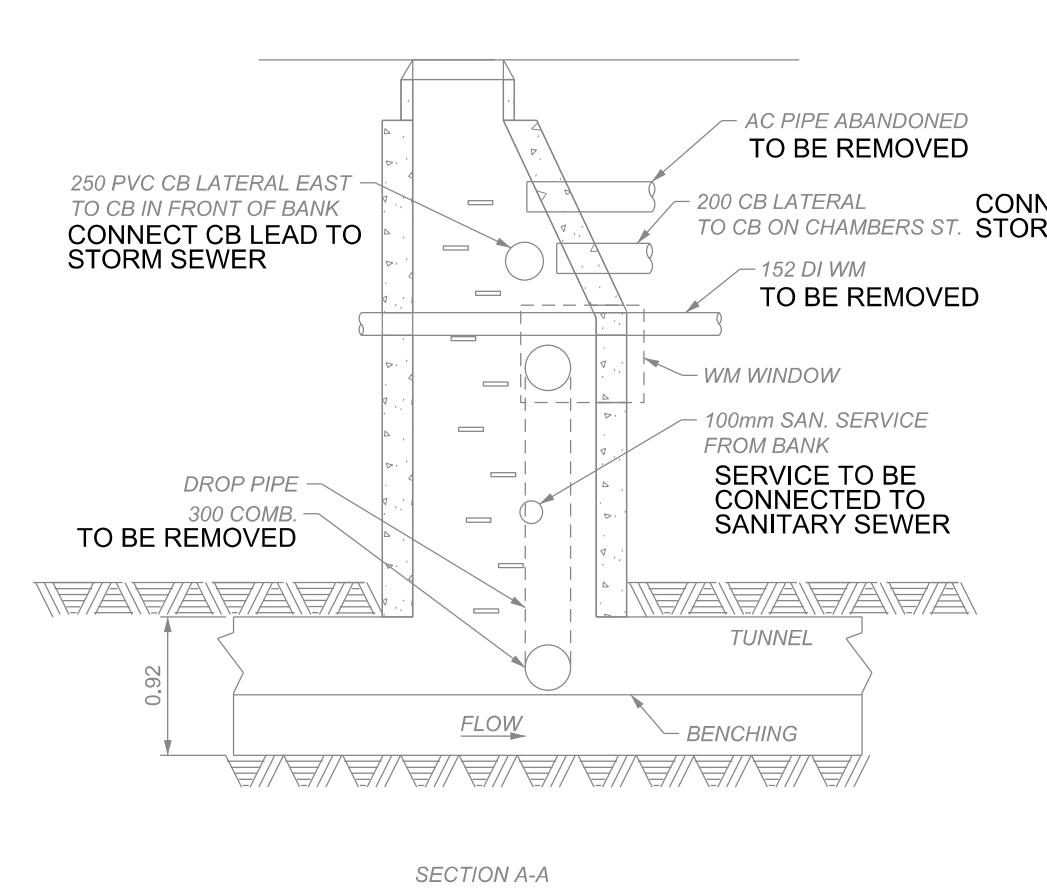
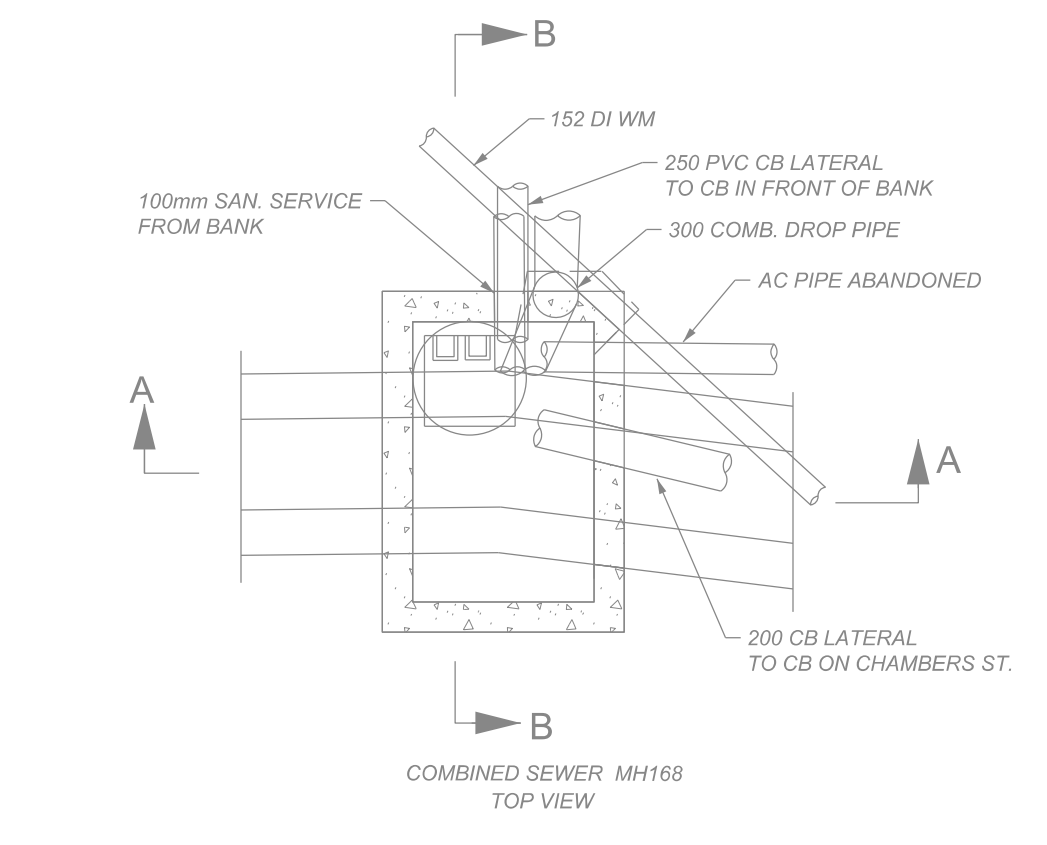


NOTE: The location of utilities is approximate only, the exact location should be determined by consulting the municipal authorities and utility companies concerned. The contractor shall prove the location of utilities and shall be responsible for adequate protection from damage.

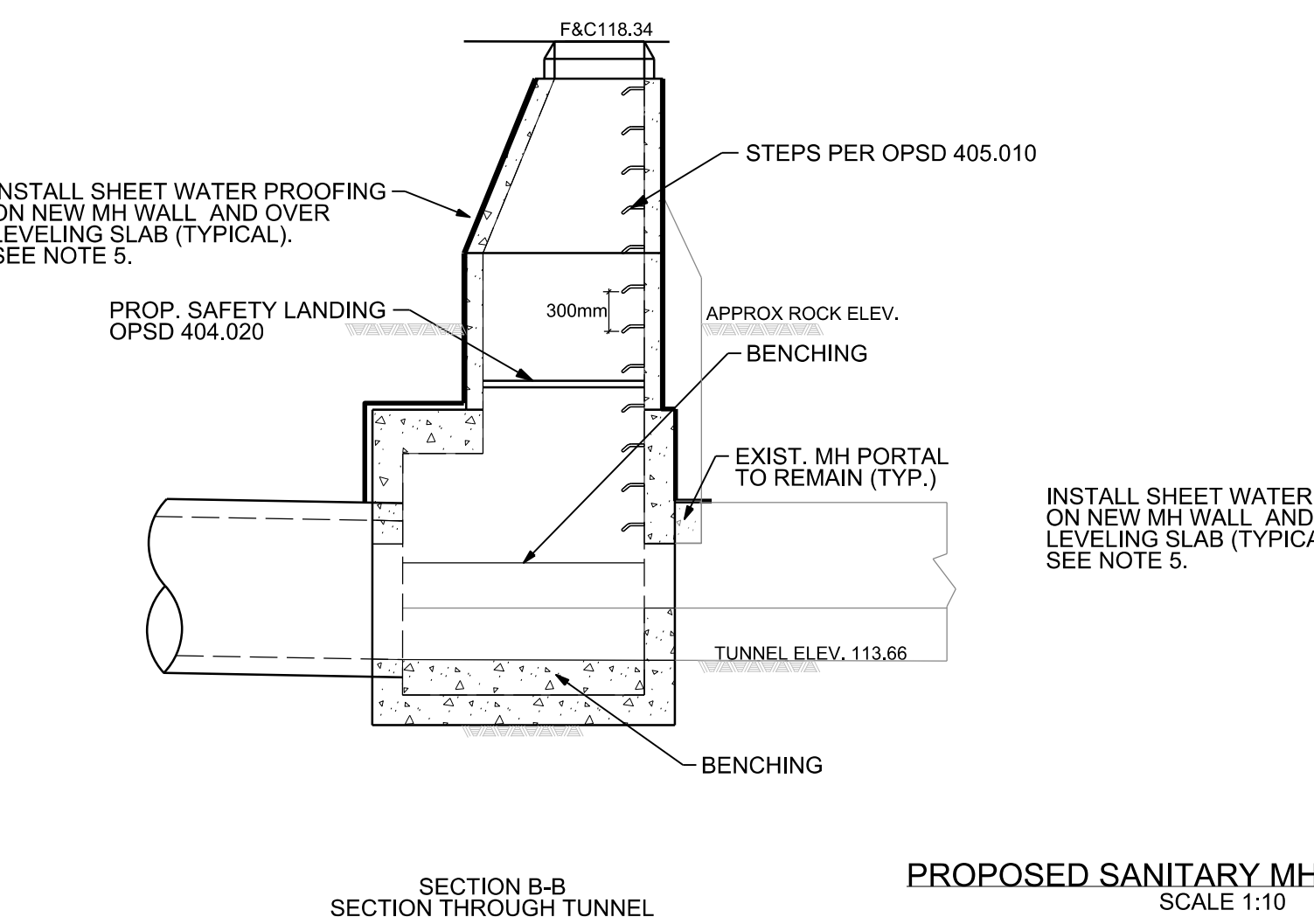
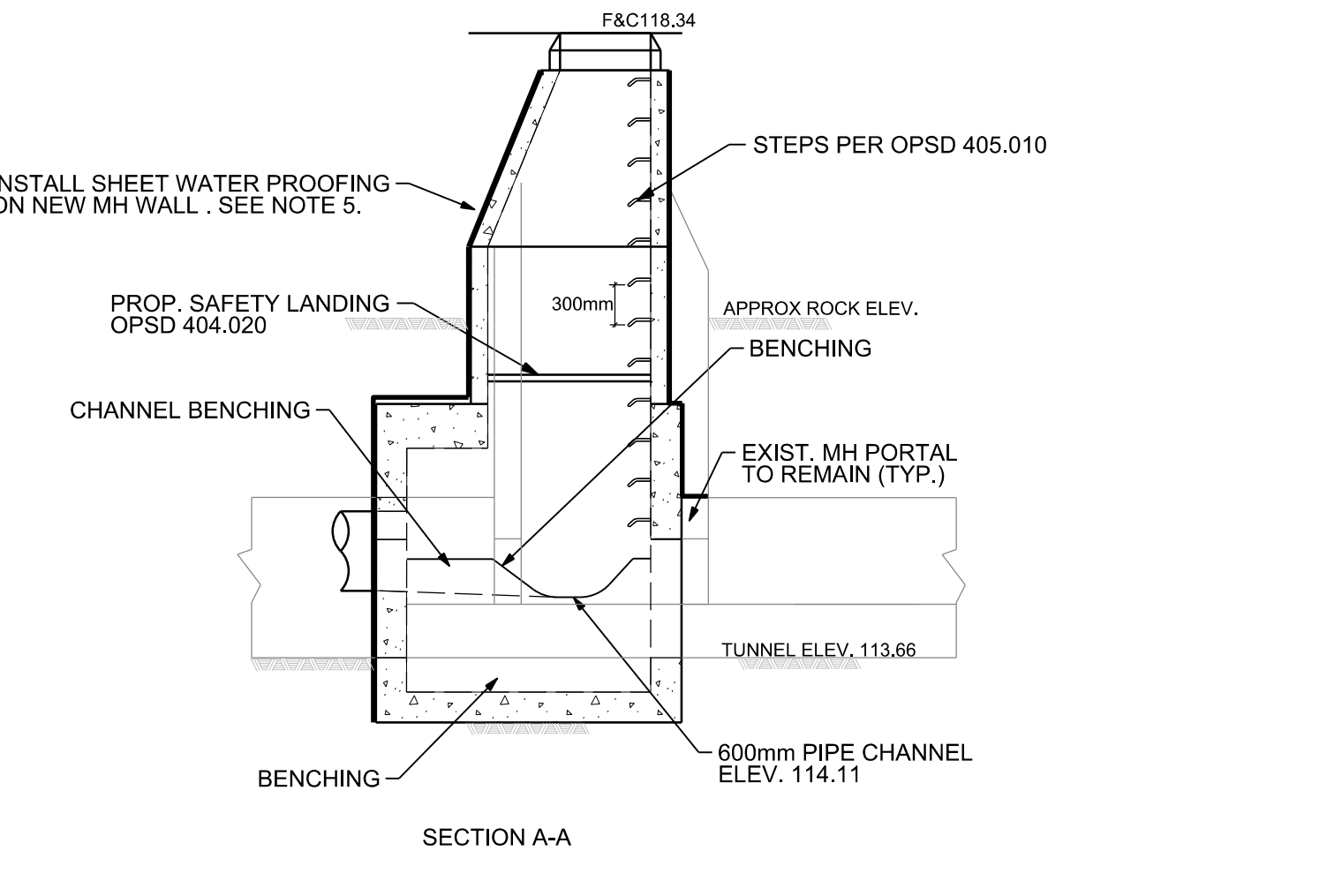
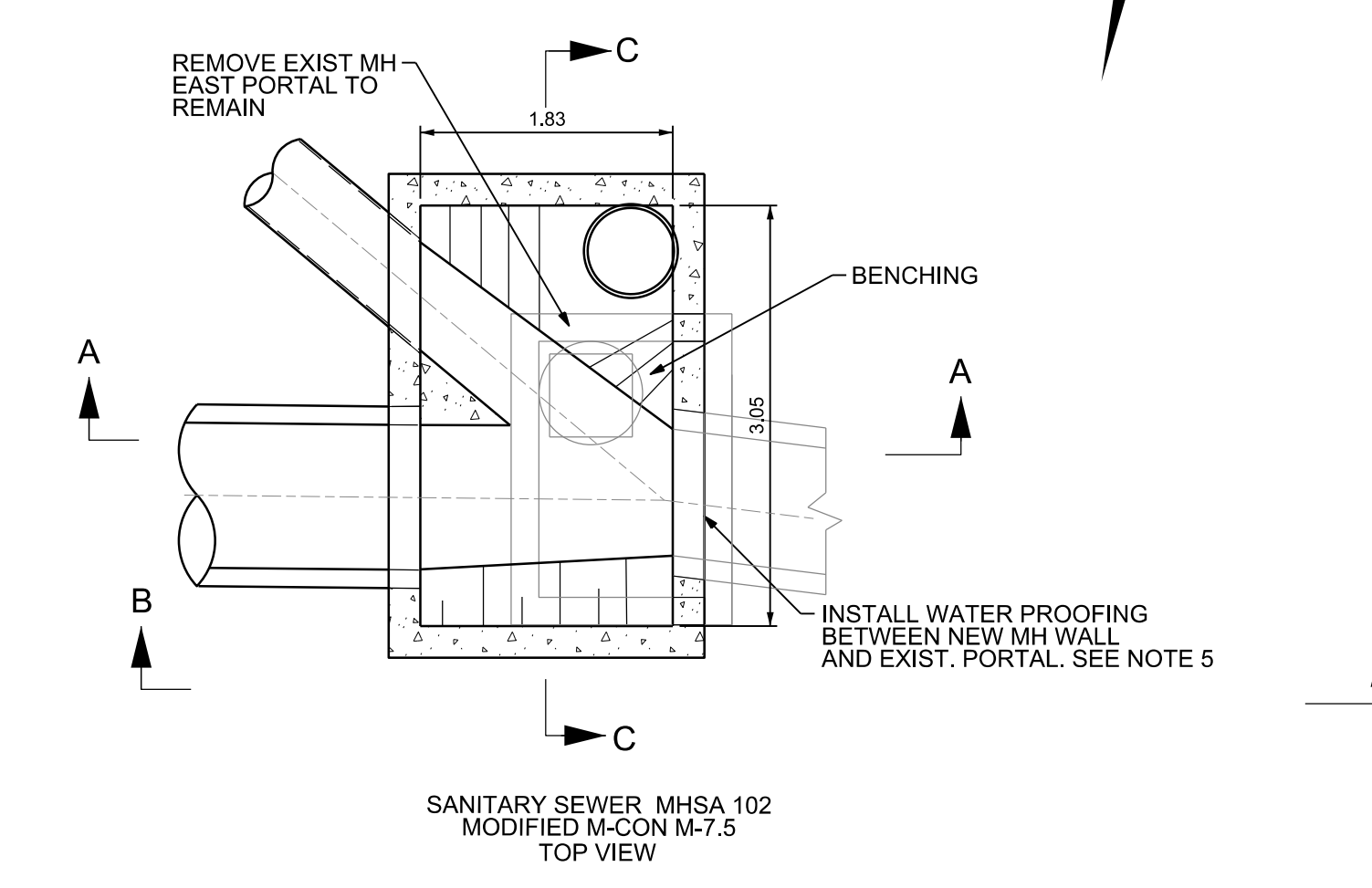
| No. | Description           | By   | Date (dd/mm/yy) |
|-----|-----------------------|------|-----------------|
| 1   | ISSUED FOR TENDER     | K.P. | 11/03/2019      |
| 2   | ISSUED FOR ADDENDUM 1 | K.P. | 15/03/2019      |



② MISCELLANEOUS WORKS IN EXISTING COMBINED SEWER MH 169 DETAIL  
 SCALE 1:10



② REMOVAL OF EXISTING COMBINED SEWER MH 168 DETAIL  
 SCALE 1:10



PROPOSED SANITARY MHSA102 DETAIL  
 SCALE 1:10

- SANITARY MANHOLE 102 AND REMOVAL OF EX. MH 168 NOTES:
- REMOVE MH 168 TO SOUND BEDROCK LEAVING EAST PORTAL INTACT.
  - BLANK OR REROUTE EXISTING PIPE TO NEW SANITARY OR STORM AS REQUIRED.
  - REMOVE REMAINING BEDROCK TO APPROXIMATELY THE TOP OF THE EXISTING SEWER BENCHING TO ALLOW FOR NEW MAINTENANCE HOLE CONSTRUCTION.
  - LEVEL BEDROCK SURFACE AND PLACE A 300mm THICK REINFORCED CONCRETE LEVELING SLAB. PROVIDE A 50mm KEY IN SLAB FOR PRECAST CHAMBER.
  - WATERPROOFING SYSTEM:  
 UNDER SLAB: VOLCLAY VOLTTEX BENTONITE GEOTEXTILE WATERPROOFING  
 EXTERIOR WALLS: VOLCLAY SWELLTITE COMPOSITE BENTONITE WATERPROOFING  
 ROOF SLAB: W.R. MEADOWS MEL-ROL SELF ADHERING WATERPROOFING SYSTEM OR APPROVED EQUAL.  
 INTERFACE BETWEEN EXISTING PORTAL AND NEW MAINTENANCE HOLE:  
 VOLCLAY SWELLTITE COMPOSITE BENTONITE WATERPROOFING  
 VOLCLAY WATERSTOP RX - 102.
  - BACKFILL STRUCTURE WITH 300mm LIFTS OF GRANULAR 'A' COMPACTED TO 95% STANDARD PROCTOR DENSITY PLACED 300mm WIDE ALL AROUND STRUCTURE.

Consultant's Information: H:\ISOW\746\1000\DWGS\05-Addendum\014-19-PW-001-30-GRDD-01.Dgn  
 Plot Date: 3/14/2019 4:01:05 PM  
 Last Saved: 3/14/2019 10:31:58 AM