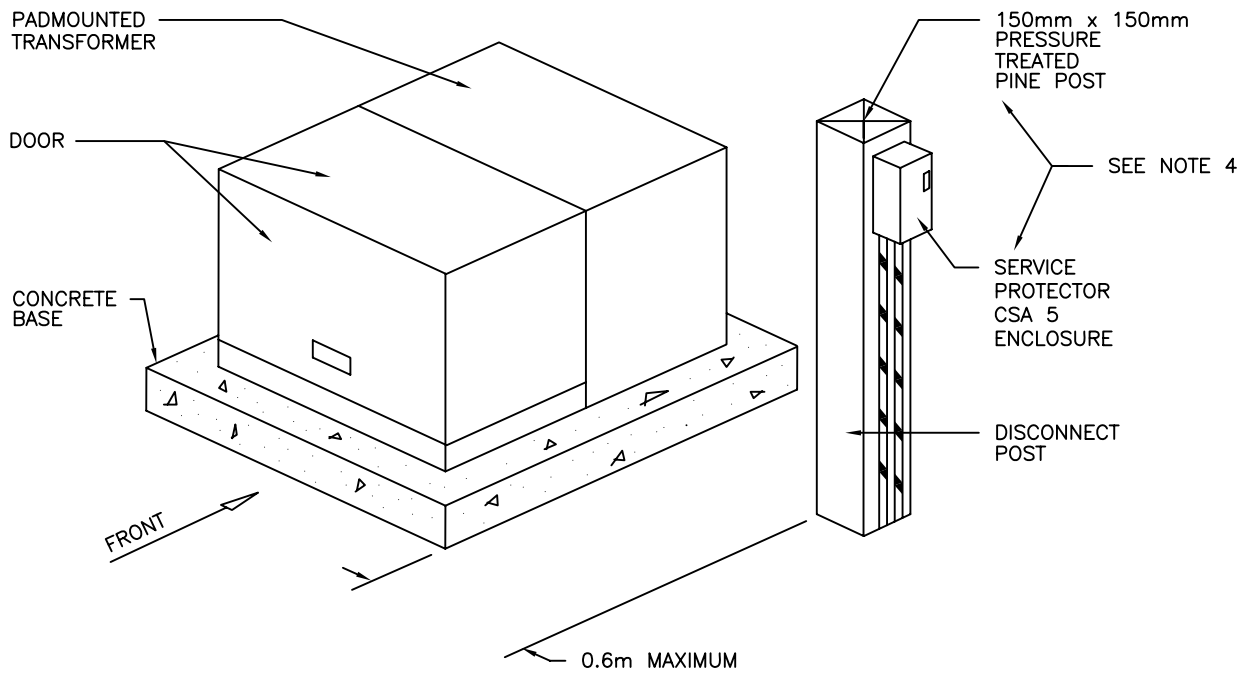


SCHEMATIC DIAGRAM



NOTES:

- 1) CALL FOR UNDERGROUND CABLE LOCATION BEFORE DIGGING.
- 2) NO PLANTS, FIRE HYDRANTS, LUMINARE POSTS OR DISCONNECT POSTS SHALL BE PLANTED IN FRONT OF THE TRANSFORMER.
- 3) INSTALLATION SUBJECT TO ONTARIO HYDRO INSPECTION DEPARTMENT REGULATIONS.
- 4) REFER TO STANDARD DRAWING No. H-4 FOR DETAILS OF CONTROL BOX, AND INSTALLATION OF PEDESTAL.
- 5) PEDESTAL TO BE PLACED ON ANY SIDE OF TRANSFORMER AT TIME OF TRANSFORMER BASE INSTALLATION

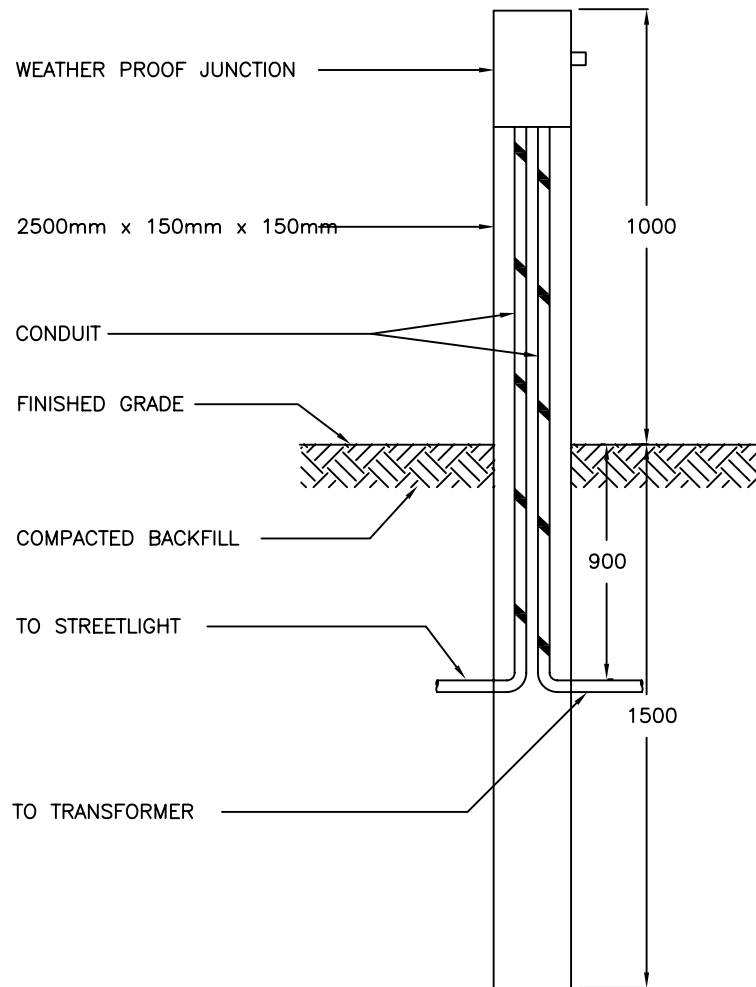
*CORPORATION
TOWN OF
SMITHS FALLS*

STANDARD STREETLIGHT
DISCONNECT AT
PADMOUNT TRANSFORMER

DRAWN / REVISED BY:
Dean Buchanan, C.E.T., rcca
Eng/Envir. Co-ord

REV. DATE: November 2000

DWG. No.: H-1



NOTES:

- 1) THE CONTROL BOX IS TO BE A WEATHERPROOF, "CSA 3" COMMANDER (SYLVANIA) CIRCUIT BREAKER BOX WITH A LATCH WHICH IS ACCOMODATING A TOWN OF SMITHS FALLS LOCK.
- 2) CONTAINED IN THE CONTROL BOX IS TO BE A 60 AMP MAXIMUM 120/240 VOLT CIRCUIT BREAKER SWITCH AND COVER PLATE.
- 3) THE CONTROL BOX IS TO BE MOUNTED ON A 150mm x 150mm x 2500mm PRESSURE TREATED PINE POST WITH A MINIMUM MOUNTING HEIGHT OF 800mm FROM FINISHED GRADE.
- 4) THE PRESSURE TREATED POST IS TO HAVE A MINIMUM OF 1.5m OF COVER FROM FINISHED GRADE TO BASE OF POST OR BURIED UNTIL BEDROCK TO PREVENT MOVEMENT DUE TO FROST HEAVING. SPECIAL CONDITIONS MAY BE UNDERTAKEN WHEN ENCOUNTERING BEDROCK TO ENSURE STABILITY OF THE POST, ALL TO THE SATISFACTION OF THE DIRECTOR OF UTILITY/ENVIRONMENTAL SERVICES
- 5) SANDBACKFILL MATERIAL AROUND THE PRESSURE TREATED POST IS TO BE COMPACTED TO THE SATISFACTION OF THE TOWN
- 6) ALL WIRES ARE TO BE PLACED IN RIGID PVC CONDUIT WITH ALL COUPLERS GLUED WITH THE APPROPRIATE ADHESIVE. THE SIZE OF THE CONDUIT IS TO BE DETERMINED BY THE WIRE SIZE AND NUMBERS OF WIRES REQUIRED. THE MINIMUM CONDUIT SIZE IS TO BE 40mm.
- 7) THE LIGHT UNITS ARE TO BE CONTROLLED BY INDIVIDUAL PHOTOCELLS OF APPROPRIATE DESIGN FOR THE TYPE OF LIGHT UNIT BEING USED.

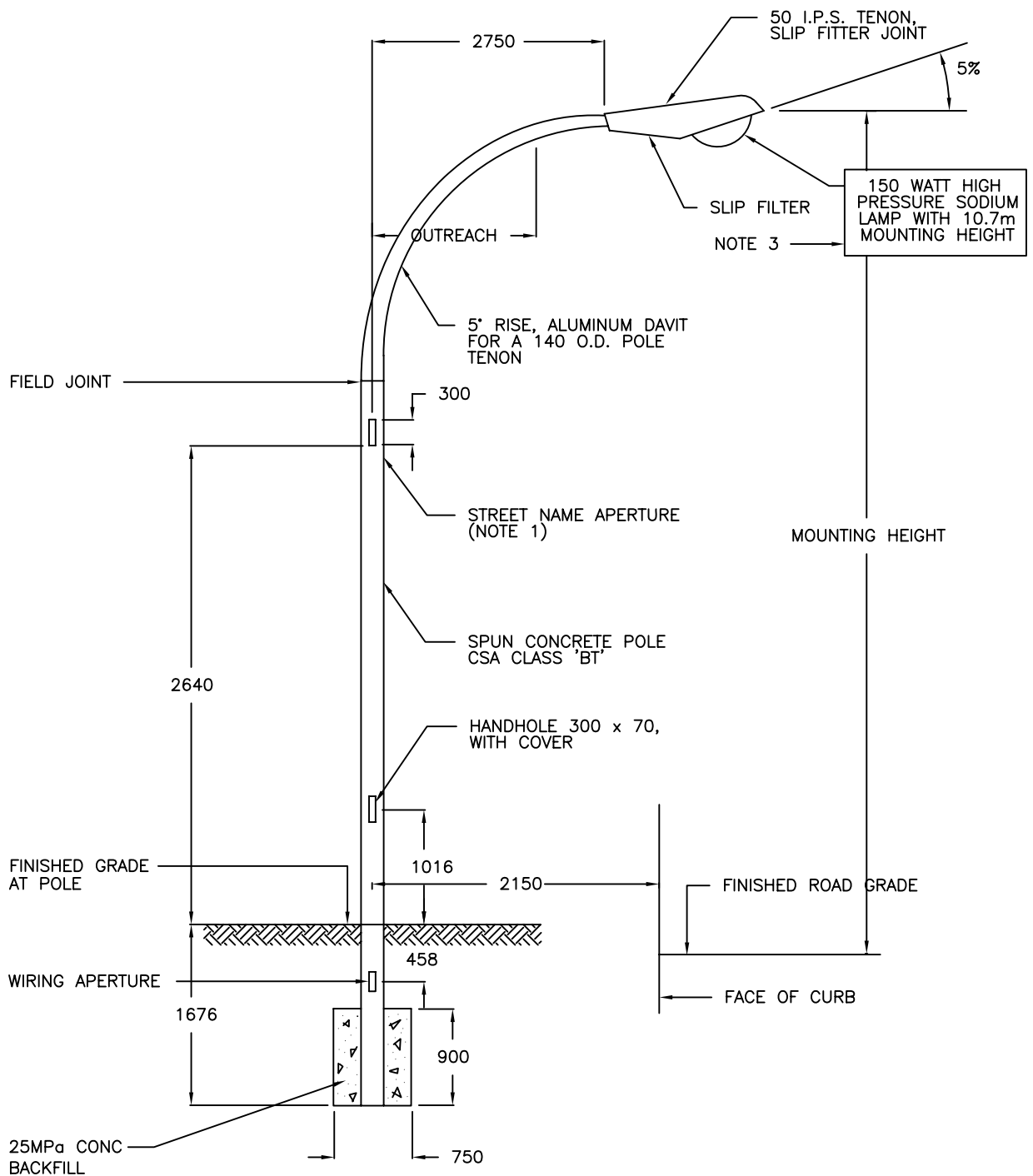
*CORPORATION
TOWN OF
SMITHS FALLS*

CONTROL BOX
AND PEDESTAL
INSTALLATION DETAIL

DRAWN / REVISED BY:
Dean Buchanan, C.E.T., rcca
Eng/Envir. Co-ord

REV. DATE: November 2000

DWG. No.: H-2



NOTE:

- 1) THE APERTURE FOR THE STREET NAME SIGN IS ONLY REQUIRED IN SOME LOCATIONS AND WILL BE SPECIFIED BY THE TOWN ENGINEER.
- 2) STONE DUST TO BE PLACED AROUND DIRECT BURIAL POLE CONCRETE TO BE USED ONLY IF REQUIRED FOR ANCHORING AUGER HOLES IN ROCK NOT EXCAVATED
- 3) TYPE OF LAMP TO BE DETERMINED BY TOWN ENGINEER

*CORPORATION
TOWN OF
SMITHS FALLS*

STANDARD STREETLIGHT
SPUN CONCRETE /
ALUMINUM DAVIT

DRAWN / REVISED BY:
Dean Buchanan, C.E.T., rcca
Eng/Envir. Co-ord

REV. DATE: November 2000

DWG. No.: H-4